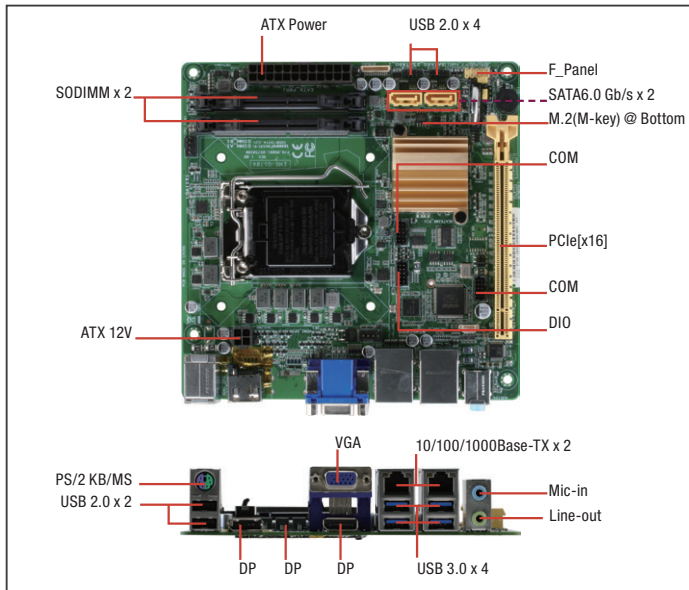
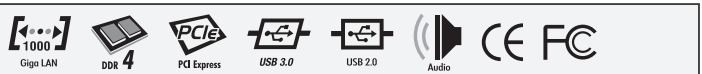


Mini-ITX Board



Features

- LGA1151 Socket For 6th/7th Generation Intel® Core™ i Series Processor
- DDR4 SODIMM x 2, Up to 32 GB
- Three Independent Display: DP x 3, VGA x 1
- Intel® LAN 211AT x 1, LAN 219LM for vPro x 1 (LAN1 Supports iAMT11.0)
- SATA 6.0 Gb/s x 2, M.2 slot (M-key) x 1
- PCI-Express [x16] (Gen3) x 1
- ATX Power
- 4K for Display Port



LAN I/O	LAN (RJ-45) port x 2
Serial Port	—
PS/2 Port	PS/2 for KB/MS x 1
Others	—

Internal I/O Connectors

Storage	SATA3.0 (6.0Gb/s) x 2, SATA power connector x 1, M.2 M-key (22 x 80mm) at bottom side x 1
USB	USB 2.0 (2 x 5-pin, 2.00mm) x 2 ports support additional 4 USB.
Display I/O	—
Audio I/O	Speaker x 1
Serial Port	Boxer header for COM (RS-232/422/485) x 1, Boxer header for COM (RS-232) x 1
PS/2 Port	—
Parallel Port	—
DIO	Digital I/O box header x 1
FAN	4-pin CPU Fan connector x 1, 4-pin Chassis Fan connector x 1
Power	ATX Power Connector x 2, AT/ATX mode select jumper (optional) x 1
Others	Front Panel connector x 1, Chassis Intrusion x 1, Buzzer onboard x 1, CMOS jumper x 1

OS	
OS Support	Windows® 7 32/64-bit, Windows® 8.1 32/64-bit, Windows® 10 64-bit, Ubuntu16.04.02/Kernel4.8.0

Specifications

System	
Processor	6th/7th Generation Intel® Core™ i7/i5/i3, LGA1151 Socket Processor, Max. 65W TDPs
Chipset	Intel® Q170
Memory	DDR4 2133/1867 MHz SODIMM x 2, Up to 32GB, Non-ECC, Un-buffered Memory, Dual channel memory architecture
Graphics	Intel® HD Graphics
I/O Chipset	NCT6791D
Ethernet	Intel® PCIe Gb LAN 219LM x 1, Intel® PCIe Gb LAN i211AT x 1
Audio	Realtek® ALC887
TPM	Infineon SLB96XX TT 1.2/2.0 (default: No)
Expansion Slots	PCIe3.0 [x16] x 1, M.2 M-key(22x80mm) at bottom side x 1
BIOS	128M bit Flash ROM, AMI BIOS
H/W Monitor	Temperature Monitor on CPU/Chassis, Voltage Monitor on Vcore/5V/12V, Fan Monitor on CPU/Chassis
WatchDog Timer	1~255 steps by software program
Smart Fan Control	CPU Fan/ Chassis Fan
Wake On LAN/ PXE	Yes (WOL/PXE)
Power State	S3, S4, S5
Graphics	
Graphics Chipset	Intel® HD Graphics
Graphics Multi Display	DP+DP, DP+VGA, DP+DP+VGA, DP+DP+DP
VGA	Up to 1920 x 1200 @60 Hz
DVI	—
HDMI	—
Display Port	Up to 4096 x 2160 @24 Hz / 3840 x 2160 @60 Hz, with Digital Audio
LVDS	—
eDP	—
Backlight Control	—
Environment & Power & ME	
Battery	Lithium battery
Power Requirement	ATX
Operating Temperature	32°F ~140°F (0°C ~ 60°C)
Storage Temperature	-40°F ~185°F (-40°C ~85°C)
Operating Humidity	0% ~ 90% R/H, non-condensing
Certificate	CE & FCC
Form Factor	Mini-ITX: 6.7" x 6.7" (170mm x 170mm)
Weight	1.1 lb (0.5 Kg)
MTBF (Hours)	221,850
Rear Panel I/O Ports	
USB	USB 3.0 x 4, USB 2.0 x 2
Display I/O	VGA x 1, DP x 3
Audio I/O	Mic-in x 1, Line-out x 1

Packing List

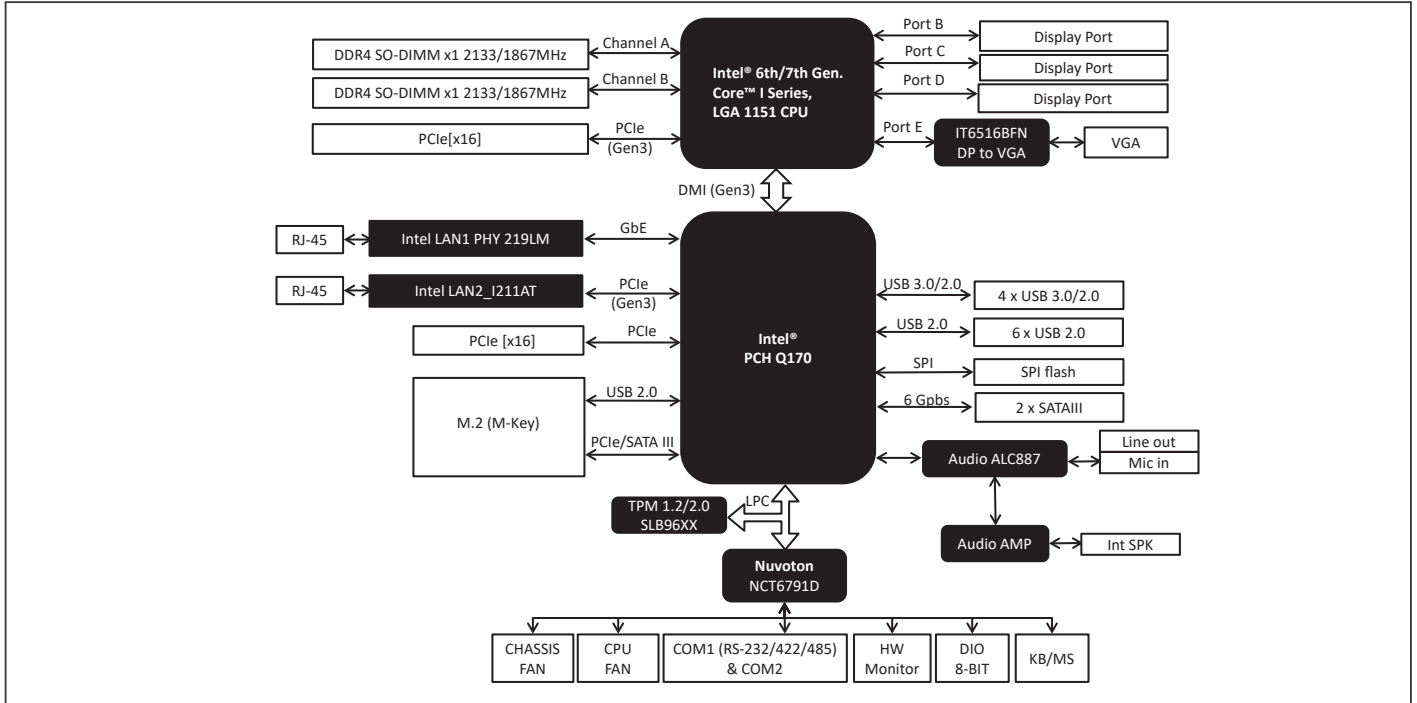
- 14001-00630100
SATA 6G Cable (7P, 180; 90, 500mm 2 in1)
- I/O Shield
- Product DVD
- EMB-Q170A

Optional Accessories

Part Number	Description
1759200172	CPU Cooler (2-Ball, Screw with Retention Plate)
175921156B	CPU Cooler (2-Ball, Push-pin Type)
COOLER -65W-01	CPU Cooler
1709100201	USB 2.0 Cable (10P, 200MM, p=2.00mm, w/ bracket)
1701100206	COM Cable (200MM, p=2.00mm)
1700100491	USB 2.0 Cable (10P, 490mm, p=2.00mm)
1709050201	USB 2.0 Cable (5P, 220mm, p=2.00mm)

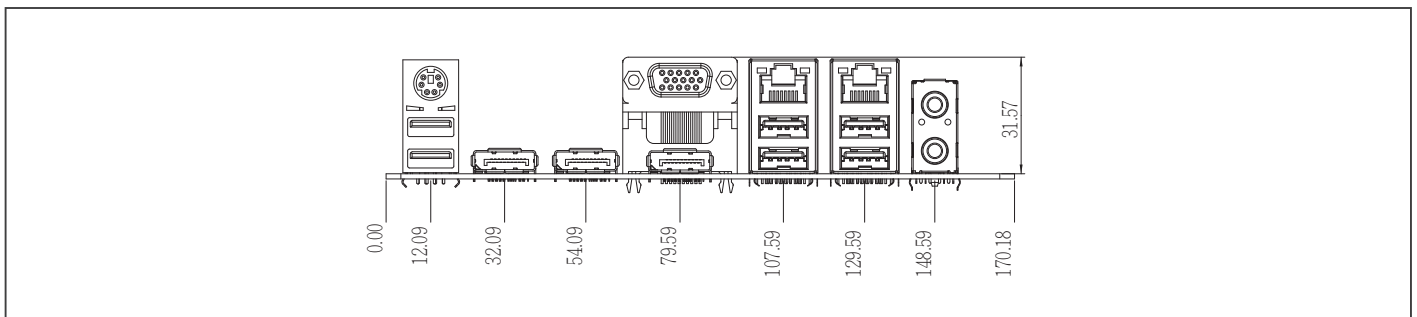
Mini-ITX Board

Block Diagram



Dimension

Unit: mm



Ordering Information

Part Number	CPU	RAM	Fan/Fanless	Display	Storage	LVDS	LAN	USB	RS-232	RS-232/422/485	Expansion Slot	Power	TPM	Temp.
EMB-Q170A-A10-K	Socket	SODIMM x 2	Fan	VGA, DP	SATA3 x 2, M.2(M-key)	—	GbE x 2	USB 3.0 x 4, USB2.0 x 6	1	1	PCIe3.0[x16] x 1, M.2(M-key) x 1	ATX	—	32°F ~140°F (0°C ~ 60°C)