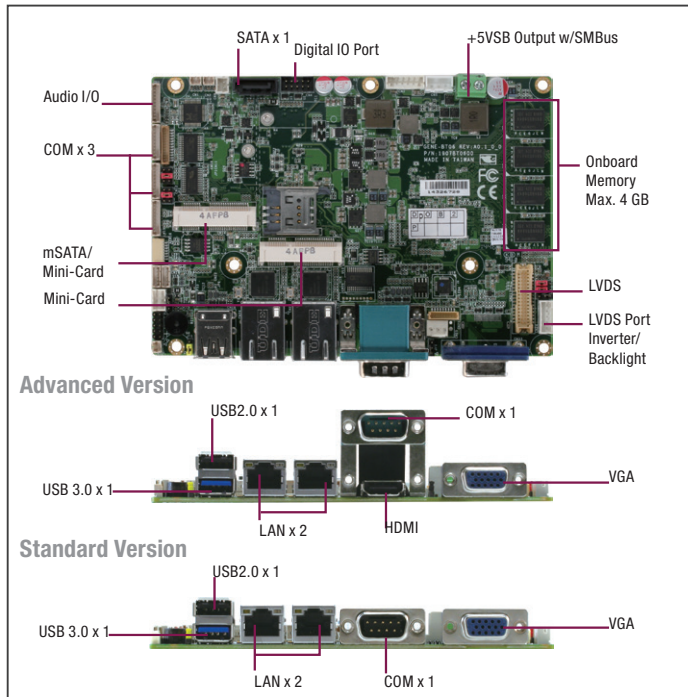
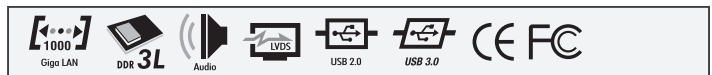


## 3,5"- Board



## Features

- Intel® Atom™ E3845/ E3825 and Celeron® Processor SoC
- Onboard DDR3L Memory Max. 4 GB
- CRT, 18/24-bit Dual-Channel LVDS LCD, HDMI (DP Sharded with HDMI/CRT, Optional)
- 2 CH Audio
- SATA 3.0 Gb/s x 1 & mSATA (Sharded with Mini-Card)
- Supports 8-bit Digital I/O, USB2.0 x 3, USB 3.0 x 1
- RS-232 x 2, RS-232/422/485 x 2
- Mini-Card Slot x 2 (Full-size x 1, Half-size x 1)
- Wide DC Support 9~24V
- Supports TPM (Optional)
- 4/5/8-wire Resistive Touch Screen Controller (Optional)
- Solder Design For System Assembly and Thermal



## Specifications

| System                      |   |
|-----------------------------|---|
| Form Factor                 | 3.5" SubCompact Board                               |
| CPU                         | Intel® Atom™ E3845/E3825                            |
| CPU Frequency               | Up to 2.0GHz  |
| Chipset                     | Intel® Atom™ series Processor SoC                   |
| Memory Type                 | Onboard DDR3L 1066/1333                             |
| Max. Memory Capacity        | Up to 4GB   |
| BIOS                        | UEFI  |
| Wake on LAN                 | Yes   |
| Watchdog Timer              | 255 Levels  |
| Power Requirement           | Wide DC support 9~24V                               |
| Power Supply Type           | AT/ATX  |
| Power Consumption (Typical) | Intel® E3845, Onboard DDR3L 1600MHz 4G, 0.64A@+12V  |
| Dimension (L x W)           | 5.75" x 4" (146mm x 101.6mm)                        |
| Operating Temperature       | 32°F ~ 140°F (0°C ~ 60°C) or WITAS 2 (TBD)          |
| Storage Temperature         | -40°F ~ 176°F (-40°C ~ 80°C)                        |
| Operating Humidity          | 0% ~ 90% relative humidity, non-condensing          |
| MTBF (Hours)                | 110,000   |
| Certification               | CE/FCC  |
| Display                     |   |
| VGA/LCD Controller          | Intel® Atom™ Processor SoC                          |
| Video Output                | CRT+LVDS, HDMI+LVDS, CRT+HDMI                       |
| Backlight inverter supply   | 18/24-bit dual-channel LVDS LCD                     |
| I/O                         |   |
| Ethernet                    | Intel® I211 (or 210), 10/100/1000Base-TX, RJ-45 x 2 |
| Audio                       | High definition audio interface                     |
| USB Port                    | USB2.0 x 3, USB 3.0 x 1                             |
| Serial Port                 | RS-232 x 2, RS-232/422/485 x 2                      |
| Parallel Port               | SPP/EPP/ECP x 1                                     |
| HDD Interface               | SATA 2.0 x 1  |
| FDD Interface               | —   |
| SSD                         | mSATA (Half-size, shared with Mini-Card)            |
| Expansion Slot              | Mini-Card x 1 (Full-size)                           |
| DIO                         | 8-bit   |
| SIM                         | x 1   |
| TPM                         | x 1   |
| Touch                       | x 1   |

## Packing List

- Product DVD
- GENE-BT06 with Heatspreader

## Optional Accessories

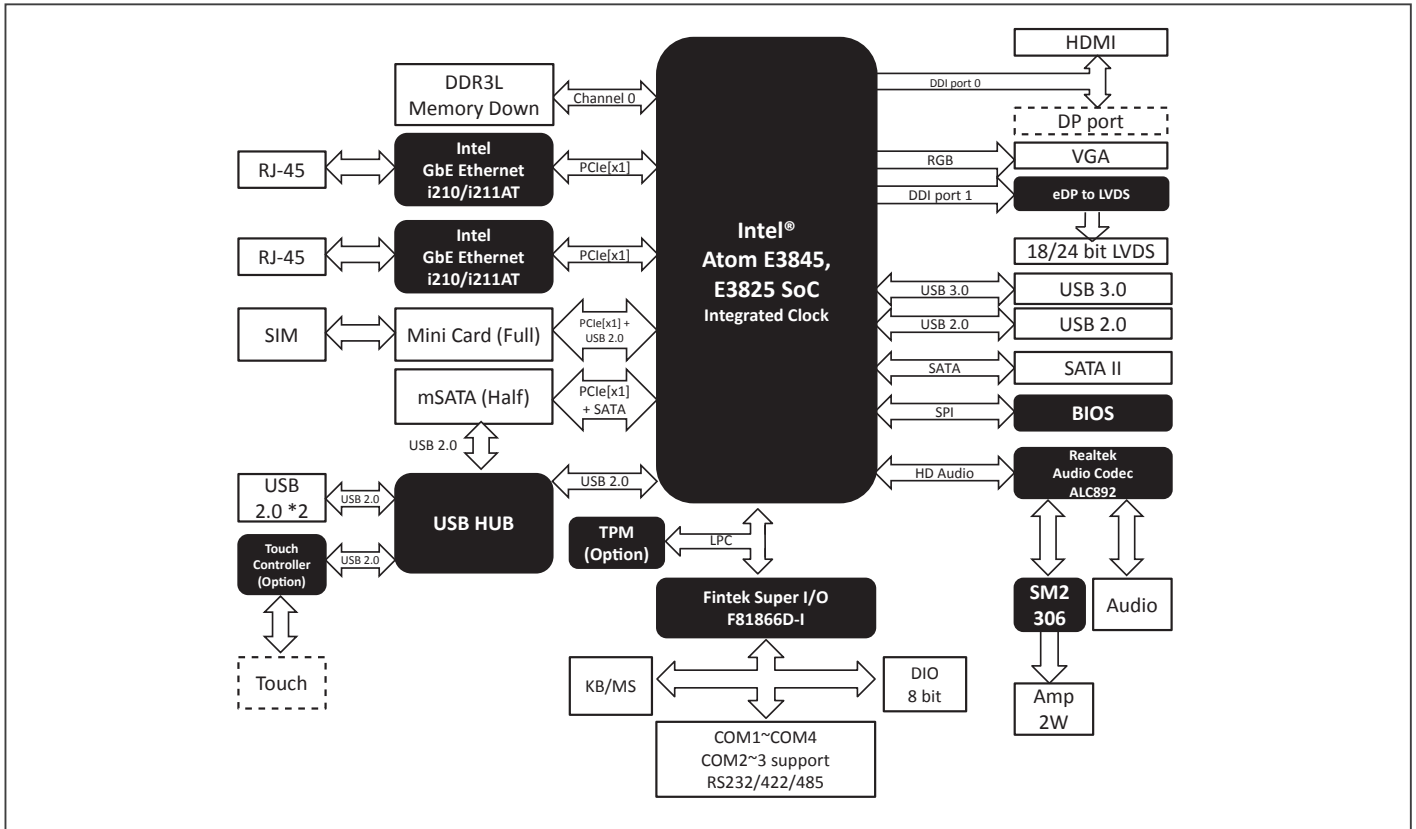
| Part Number | Description   | QTY |
|-------------|---|-----|
| 1700050207  | (TF)USB CABLE, 1*5P Pitch=1.25mm Housinh, 20cm, for PFM-945C                    | 2   |
| 1701090150  | (TF)Flat Cable, D-Sub 9(M), 9P Housing, 9P 1.25mm pitch Housing, 15cm           | 3   |
| 1709100254  | (TF)PHONE JACK Cable, 3P AUDIO JACK, 1*10P 1.25mm HOUSING(F), 25cm              | 1   |
| 1702150155  | (TF)Power Cable, 15P SATA(F), 2P 2.0mm Housing(PH), 15cm                        | 1   |
| 170220020B  | (TF)Power Cable, 20P ATX(M), 4P 5.08mm Housing(F), +3P 2.5mm Housing (XH), 20cm | 1   |
| 1700060157  | (TF)Cable, 6P 2.0mm Housing, 6P JACK W/SCREW KB&MS, 15cm                        | 1   |
| 1702002010  | (TF)Power CABLE, 1*2P Pitch=5.0mm Housing, 10cm, for PFM-945C.(12V only)        | 1   |
| 175011901C  | (TF)BATTERY, 3V, MAXELL, CR2032M1S8-LF  | 1   |

## OS Support

| Part Number          | Description   |
|----------------------|---|
| OS-W10R-600-00000-EN | Windows 10 IoT Enterprise, for Retail or ThinClients, 64bit MultiLang. (EngFreChiTChiSJanKor) |

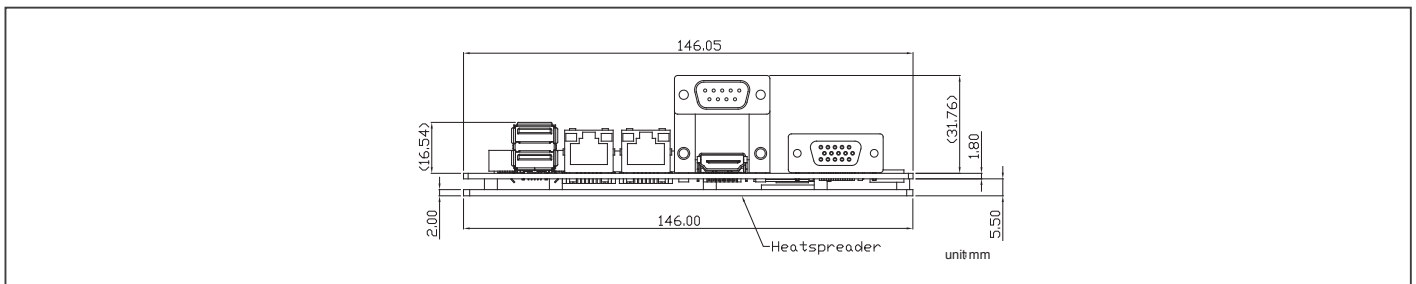
3,5"- Board

## Block Diagram



## Dimension

Unit: mm



## Ordering Information

| Part Number          | CPU                | Fan/<br>Fanless | Memory      | Display                                 | LVDS       | Storage                           | LAN     | USB                        | RS-232 | RS-232/422/485 | Expansion Slot      | Power | Power Temp          | Others                              |
|----------------------|--------------------|-----------------|-------------|---|------------|-----------------------------------|---------|----------------------------|--------|----------------|---------------------|-------|---------------------|-------------------------------------|
| GENE-BT06-A11-0001   | Intel® Atom™ E3825 | Fanless         | Onboard 2GB | VGA + LVDS                              | 24bit, 2CH | SATA x 1<br>mSATA x 1 (half size) | GbE x 2 | USB 3.0 x 1<br>USB 2.0 x 3 | 2      | 2              | MiniCard x 1 (Full) | 9~24V | 0°C ~ 60°C          | DIO x 8                             |
| GENE-BT06-A11-0002   | Intel® Atom™ E3845 | Fanless         | Onboard 4GB | CRT + LVDS<br>LVDS + HDMI<br>HDMI + CRT | 24bit, 2CH | SATA x 1<br>mSATA x 1 (half size) | GbE x 2 | USB 3.0 x 1<br>USB 2.0 x 3 | 2      | 2              | MiniCard x 1 (Full) | 9~24V | 0°C ~ 60°C          | Touch Controller, TPM, SIM, DIO x 8 |
| GENE-BT06W2-A11-0001 | Intel® Atom™ E3825 | Fanless         | Onboard 2GB | VGA + LVDS                              | 24bit, 2CH | SATA x 1<br>mSATA x 1 (half size) | GbE x 2 | USB 3.0 x 1<br>USB 2.0 x 3 | 2      | 2              | MiniCard x 1 (Full) | 9~24V | WTAS 2 (-40°C~85°C) | DIO x 8                             |
| GENE-BT06W2-A11-0002 | Intel® Atom™ E3845 | Fanless         | Onboard 4GB | CRT + LVDS<br>LVDS + HDMI<br>HDMI + CRT | 24bit, 2CH | SATA x 1<br>mSATA x 1 (half size) | GbE x 2 | USB 3.0 x 1<br>USB 2.0 x 3 | 2      | 2              | MiniCard x 1 (Full) | 9~24V | WTAS 2 (-40°C~85°C) | Touch Controller, TPM, SIM, DIO x 8 |