

**Industrial outdoor IEEE 802.11 b/g/n wireless access point
with 2x10/100Base-T(X) PoE P.D., IP-67 grade**

Features

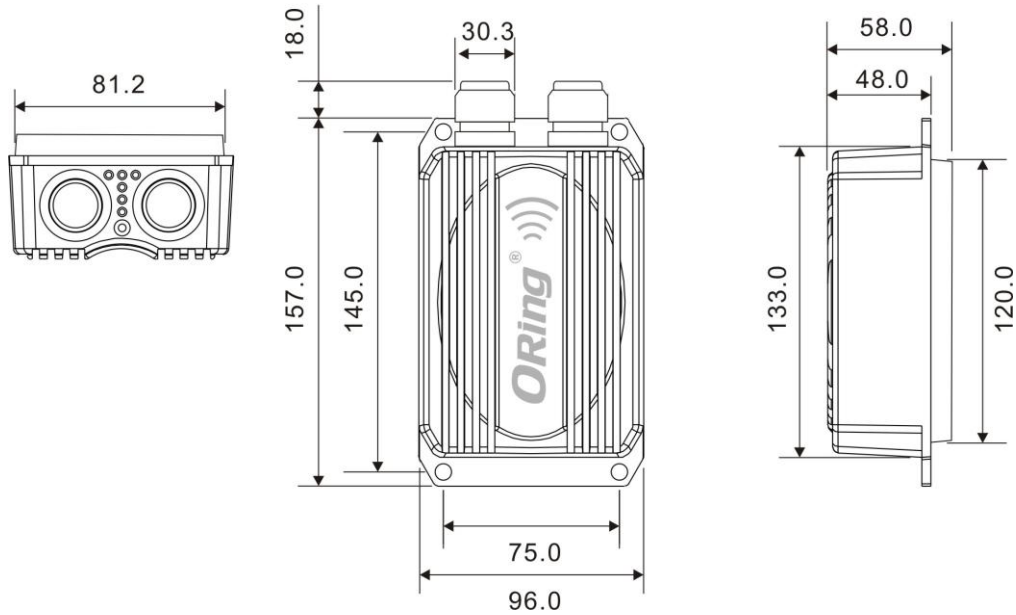
- High Speed Air Connectivity: WLAN interface support up to 300Mbps link speed
- Highly Security Capability: WEP/WPA/WPA-PSK(TKIP,AES)/WPA2/WPA2-PSK(TKIP,AES)/802.1X Authentication supported
- High throughput > **80Mbps**
- High power output **800mw** Max.
- Far Distance Air Connectivity up to **7 KM** (IAP-W420+)
- Support **X-Roaming** < 100 ms
- Support AP/Bridge/Client/AP-Client Mode
- Wireless connecting status monitoring
- HTTPs protocol supported for secured management
- Event Warning by Syslog, Email, SNMP Trap
- Rigid **IP-67** housing design
- Pole-mount enabled



Dimension

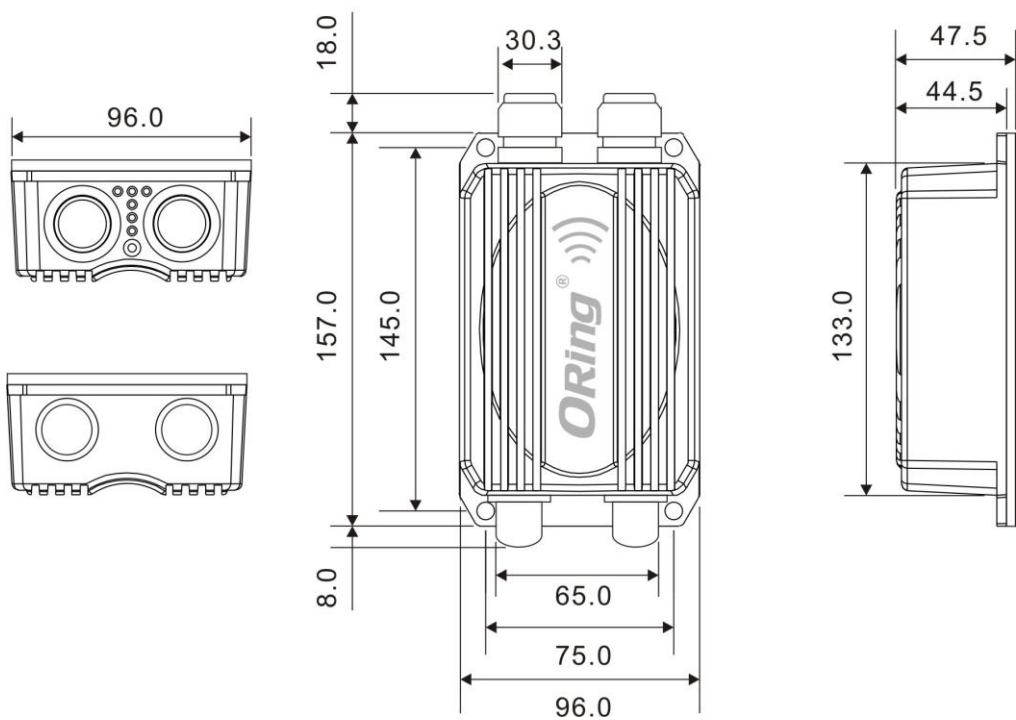
IAP-W420+

Dimension (Unit =mm)



IAP-W422+

Dimension (Unit =mm)



IP-67/ EN50155 Wireless Access Point

Specifications

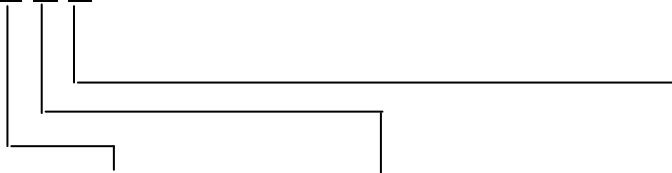
ORing WLAN Access Point Model	IAP-W420+	IAP-W422+
Physical Ports		
10/100 Base-T(X) Ports in RJ45 Auto MDI/MDIX	2 (one port with PoE)	
WLAN interface		
Operating Mode	AP/Bridge/AP-Client/Client	
Antenna Connector	Build-in 10dBi panel antenna	2 x External N-type antenna connector
Radio Frequency Type	OFDM	
Modulation	IEEE802.11b: CCK, DQPSK, DBPSK IEEE802.11g/n: OFDM with BPSK, QPSK, 16QAM, 64QAM	
Frequency Band	America / FCC : 2.412~2.462 GHz (11 channels) Europe CE / ETSI: 2.412~2.472 GHz (13 channels)	
Transmission Rate	IEEE802.11b: 11, 5.5, 2, 1 Mbps; IEEE 802.11g: 54, 48, 36, 24, 18, 12, 9, 6 Mbps IEEE 802.11n: up to 300Mbps	
Transmit Power	800mw Max.	
Receiver Sensitivity	-96dBi ± 2dBi	
Encryption Security	WEP: (64-bit ,128-bit key supported) WPA/WPA2 :802.11i(WEP and AES encryption) WPAPSK (256-bit key pre-shared key supported) 802.1X Authentication supported TKIP encryption	
Wireless Security	SSID broadcast disable	
Protocol Support		
Protocol	ARP,BOOTP, DHCP, DNS, HTTPs, IP, ICMP, SNMP, TCP, UDP, RADIUS, SNMP, STP (IEEE 802.1D)	
LED indicators		
Power indicator	1 x LED, Green On: Power(PoE) is on and functioning Normally.	
10/100Base-T(X) RJ45 port indicator	2 x LED, Green On: Port Link / Act, Blinking: data transmission	
WLAN LED	3 x LED, Green for WLAN Strength: 1<30%, 2<60%, 3<90%	
Power		
Input power	48VDC from P.o.E	
Power consumption (Typ.)	9watts	
Physical Characteristic		
Enclosure	IP-67	
Dimension (W x D x H)	157(W)x 96(D)x 58(H) mm (6.18x 3.77x 2.28 inch.)	157(W)x 96(D)x 47.5(H) mm (6.18x 3.77x 1.87 inch.)
Weight (g)	720 g	790 g
Environmental		
Storage Temperature	-30 to 85°C (-22 to 185°F)	
Operating Temperature	-20 to 70°C (-4 to 158°F)	
Operating Humidity	100% Non-condensing	
Regulatory approvals		
EMI	FCC Part 15, CISPR (EN55022) class A	
EMS	EN61000-4-2 (ESD), EN61000-4-3 (RS), EN61000-4-4 (EFT), EN61000-4-5 (Surge), EN61000-4-6 (CS), EN61000-4-8, EN61000-4-11	
Shock	IEC60068-2-27	
Free Fall	IEC60068-2-32	
Vibration	IEC60068-2-6	

IP-67/ EN50155 Wireless Access Point

Safety	EN60950-1
Warranty	3 years

Ordering Information

IAP-W **A B C** +



Code Definition	Wireless Mode	10/100Base-T(X) Port Number	Antenna Connector Number
Option	- 1: 802.11 b/g - 2: 802.11 a - 3: 802.11 a/b/g - 4: 802.11 b/g/n - 5: 802.11 a/n - 6: 802.11 a/b/g/n	-"2": 2 port	-"2": 2 connectors

	Model Name	Description
Available Model	IAP-W420+_US	Industrial outdoor IEEE 802.11 b/g/n wireless access point with 2x10/100Base-T(X), IP-67 grade, US band
	IAP-W420+_EU	Industrial outdoor IEEE 802.11 b/g/n wireless access point with 2x10/100Base-T(X), IP-67 grade, EU band
	IAP-W422+_US	Industrial outdoor IEEE 802.11 b/g/n wireless access point with 2x10/100Base-T(X), IP-67 grade, N-type antenna connector, US band
	IAP-W422+_EU	Industrial outdoor IEEE 802.11 b/g/n wireless access point with 2x10/100Base-T(X), IP-67 grade, N-type antenna connector, EU band

Packing List

- IAP- W420+ / W422+ x 1
- Pole Mount Kit x 1
- CD x 1
- RJ-45 Rubber Seal x 2
- Quick Installation Guide x 1
- N-type ANT. Rubber Seal x 2 (IAP-W422+)