

Industrial IEEE 802.11 a/b/g/n 4G LTE Cellular Router with 2x10/100/1000Base-T(X)

Features

- High Speed Air Connectivity: WLAN interface support up to 300Mbps link speed
- Provide 2 port 10/100/1000Base-T(X) port and 1 sim card slot
- 4G LTE Modem dial up included
- Provide HNAT enhance LAN to WAN routing performance
- Highly Security Capability: WEP/WPA/WPA-PSK(TKIP,AES)/WPA2/WPA2-PSK(TKIP,AES)/802.1X Authentication supported
- Secured Management by HTTPs
- Various kind of WAN Connection Type supported: Dynamic/Static IP, PPPoE, Modem/Dial Up
- Support client operating mode
- IP table to prevent access from unauthorized IP address
- Support VPN for secured network connection (Open VPN , PPTP, IPSEC, VPN)
- Support NAT Setting (Virtual Server , Port Trigger , DMZ , UPnP)
- Wireless connecting status monitoring
- Versatile modes & event alarm by e-mail
- 1KV isolation for PoE P.D.
- Event Warning by Syslog, Email, SNMP Trap, Relay and Beeper
- Rigid IP-30 housing design
- DIN-Rail and Wall-mount enabled

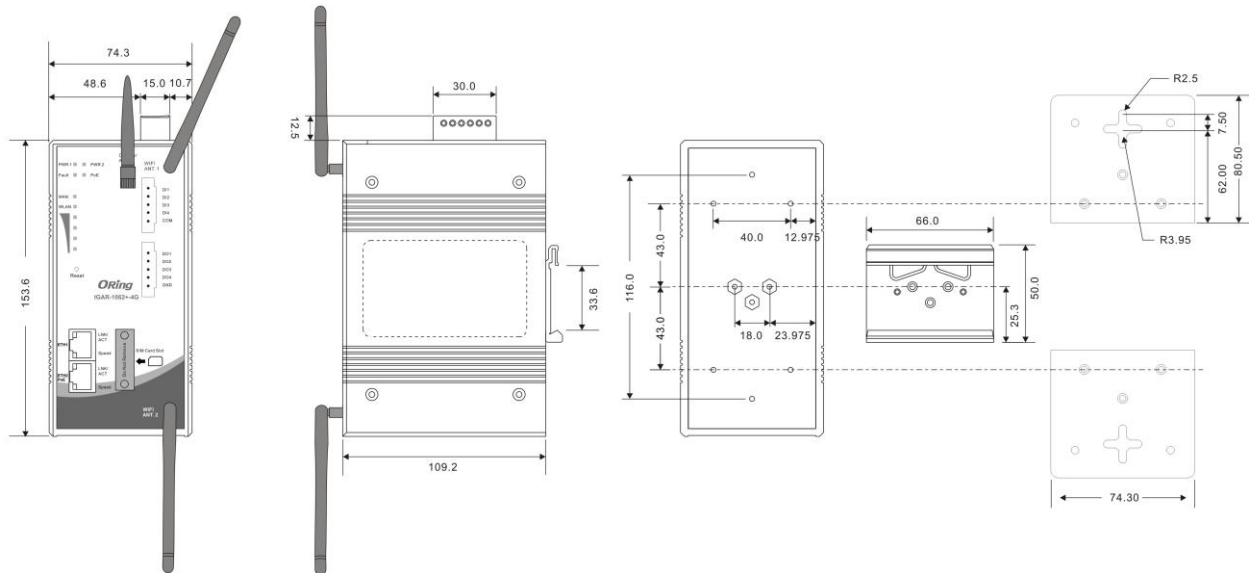


IGAR-1062+-4G

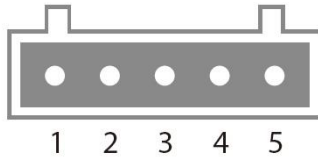
Din-Rail 3.5/4G/LTE Cellular Router

Dimension

Dimension (Unit =mm)



DI/DO Definition



Digital Input Pin Definition

| PIN | 1 | 2 | 3 | 4 | 5 |
|----------|-----|-----|-----|-----|-----|
| Function | DI1 | DI2 | DI3 | DI4 | COM |

Digital Output Pin Definition

| PIN | 1 | 2 | 3 | 4 | 5 |
|----------|-----|-----|-----|-----|-----|
| Function | DO1 | DO2 | DO3 | DO4 | GND |

Specifications

| ORing AP Router Model | IGAR-1062+-4G |
|--|--|
| Physical Ports | |
| 10/100/1000 Base-T(X) Ports in RJ45 Auto MDI/MDIX | 2 |
| PoE P.D. port | Present at ETH2 Fully compliant with IEEE 802.3af Power Device specification Over load & short circuit protection Isolation Voltage: 1000 VDC min. Isolation Resistance : 10 ⁸ ohms min |
| 5-Pin Terminal Block | 2(DI x 4 and DO x 4) |
| Sim Card Slot | 1 |
| Cellular Interface | |
| Cellular Standard | GSM / GPRS/ EGPRS/ EDGE / WCDMA / HSDPA / HSUPA /HSPA+ /LTE |
| Band Option | America(US) LTE: 700/1700/2100/ MHz UMTS/HSDPA/HSUPA/HSPA+/DC-HSPA+: 800/850/1900/2100 MHz GSM/GPRS/EDGE: 850/900/1800/1900 MHz Europe(EU) LTE: |

Din-Rail 3.5/4G/LTE Cellular Router

| | |
|----------------------------------|--|
| | 800/900/1800/2100/2600 MHz UMTS/HSDPA/HSUPA/HSPA+/DC-HSPA+: 900/2100 MHz GSM/GPRS/EDGE: 900/1800/1900 MHz |
| Antenna Connector | 1 x SMA Female |
| WLAN interface | |
| Antenna Connector | 2 x Reverse SMA Female |
| Modulation | IEEE802.11b: CCK/DQPSK/DBPSK IEEE802.11a/g: OFDM IEEE802.11n: BPSK, QPSK, 16-QAM, 64-QAM |
| Frequency Band | America / FCC: 2.412~2.462 GHz (11 channels) 5.180~5.240 GHz & 5.745~5.825 GHz (9 channels) Europe CE / ETSI: 2.412~2.472 GHz (13 channels) 5.180~5.240 GHz (4 channels) |
| Transmission Rate | 802.11b: 1/2/5.5/11 Mbps 802.11a/g: 6/9/12/18/24/36/48/54 Mbps 802.11n(40MHz): UP to 300 Mbps |
| Transmit Power | 802.11a: 12dBm ± 1.5dBm@54Mbps 802.11b: 17dBm ± 1.5dBm@11Mbps 802.11g: 16dBm ± 1.5dBm@54Mbps 802.11gn HT20: 15dBm ± 1.5dBm @MCS7 802.11gn HT40: 14dBm ± 1.5dBm @MCS7 802.11an HT20: 12dBm ± 1.5dBm @MCS7 802.11an HT40: 11dBm ± 1.5dBm @MCS7 |
| Receiver Sensitivity | 802.11a : -76dBm ± 2dBm@54Mbps 802.11b : -85dBm ± 2dBm@11Mbps 802.11g : -76dBm ± 2dBm@54Mbps 802.11gn HT20:-75dBm ± 2dBm@MCS7 802.11gn HT40:-72dBm ± 2dBm@MCS7 802.11an HT20:-74dBm ± 2dBm@MCS7 802.11an HT40:-71dBm ± 2dBm@MCS7 |
| Encryption Security | WEP: (64-bit ,128-bit key supported) WPA/WPA2 :802.11i(WEP and AES encryption) WPA-PSK (256-bit key pre-shared key supported) 802.1X Authentication supported TKIP encryption |
| Wireless Security | SSID broadcast disable |
| LED indicators | |
| Power indicator | 3 x LEDs, PWR1(2)(PoE) / Ready: Red On : Power is on and booting up Green On : Power is on and functioning Normal |
| 10/100/1000T RJ45 port indicator | 2 x LEDs, LNK/ACT:Green for port Act. Speed: Green for port Link at 1000Mbps Amber for port Link at 100Mbps. Off for port Link at 10Mbps |
| WLAN LEDs: | Green Solid On: RF on, Blink: data transmitting Green for WLAN Strength: 1<25%, 2<50%, 3<75%, 4<100% |
| WAN LEDs: | Green On : Power is on and functioning Normal |
| Fault | 1 x LED, Red for Ethernet link down or power down indicator |
| Fault contact | |
| Relay | Relay output to carry capacity of 1A at 24VDC |
| Power | |
| Redundant Input power | Dual DC inputs. 12-48VDC on 6-pin terminal block |
| Power consumption | 9.5 Watts |
| Overload current protection | Present |
| Reverse polarity protection | Present |
| Physical Characteristic | |

IGAR-1062+-4G

Din-Rail 3.5/4G/LTE Cellular Router

| | |
|-----------------------------|--|
| Enclosure | IP-30 |
| Dimension (W x D x H) | 74.3(W) x 109.2(D) x 153.6(H) mm (2.93 x 4.3 x 6.05 inch.) |
| Weight (g) | 1155g |
| Environmental | |
| Storage Temperature | -40 to 85°C (-40 to 185°F) |
| Operating Temperature | -25 to 70°C (-13 to 158°F) |
| Operating Humidity | 5% to 95% Non-condensing |
| Regulatory approvals | |
| EMI | FCC Part 15, CISPR (EN55022) class A |
| EMS | EN61000-4-2 (ESD), EN61000-4-3 (RS), EN61000-4-4 (EFT), EN61000-4-5 (Surge), EN61000-4-6 (CS), EN61000-4-8, EN61000-4-11 |
| Shock | IEC60068-2-27 |
| Free Fall | IEC60068-2-32 |
| Vibration | IEC60068-2-6 |
| Safety | EN60950-1 |
| Warranty | 5 years |

Ordering Information

IGAR-**ABCDE** **FF**

| Code Definition | Cellular Module Number | 2 nd Wireless Mode | 1 st Wireless Mode | Giga Ethernet Port Number | PoE Identification | Cellular Generation |
|-----------------|---------------------------|--|--|---------------------------|------------------------------|---------------------|
| Option | 1: One SIM 2: Dual SIM | 1: 802.11 b/g 2: 802.11 a 3: 802.11 a/b/g 4: 802.11 b/g/n 5: 802.11 a/n 6: 802.11 a/b/g/n | 1: 802.11 b/g 2: 802.11 a 3: 802.11 a/b/g 4: 802.11 b/g/n 5: 802.11 a/n 6: 802.11 a/b/g/n | 2: 2 ports | + : PoE P.D. present at ETH2 | 4G :LTE |

| Available Model | Model Name | Description |
|-----------------|------------------|---|
| | IGAR-1062+-4G_US | Industrial IEEE 802.11 a/b/g/n 4G LTE Cellular router with 2x10/100/1000Base-T(X), 1-port PoE P.D., US band |
| | IGAR-1062+-4G_EU | Industrial IEEE 802.11 a/b/g/n 4G LTE Cellular router with 2x10/100/1000Base-T(X), 1-port PoE P.D., EU band |

Packing List

- IGAR-1062+-4G
- 2.4GHz/5GHz Antenna x 2
- Cellular Antenna x 1
- 6-Pin Terminal Block x 1
- CD x 1
- Din-Rail Kit x 1
- 5-Pin Terminal Block x 2
- Quick Installation Guide x 1
- Wall-Mount Kit x 2
- Dust Cover x 2

Optional Accessories

- DR-45 series : 45 Watts power supply
- DR-120 series : 120 Watts power supply
- RF Antenna Base (Magnetic) series
- DR-75 series : 75 Watts power supply
- WLAN RF Antenna (Omni-directional) series
- RF Cable series