

TGAR-W1061+-4G-M12

Industrial Computer Source
(Deutschland) GmbH

IP-67/EN50155 3.5/4G/LTE Cellular Router

Features

- High Speed Air Connectivity: WLAN interface support up to 300Mbps link speed
- Provide 1 port 10/100/1000Base-T(X) port with PoE P.D.
- **4G LTE Modem dial up included**
- Provide HNAT enhance LAN to WAN routing performance
- Highly Security Capability: WEP/WPA/WPA-PSK(TKIP,AES)/WPA2/WPA2-PSK(TKIP,AES)/802.1X Authentication supported
- Secured Management by HTTPs
- Various kind of WAN Connection Type supported: Dynamic/Static IP, PPPoE, Modem/Dial Up
- Support client operating mode
- IP table to prevent access from unauthorized IP address
- Support VPN for secured network connection (Open VPN , PPTP, IPSEC, VPN)
- Support NAT Setting (Virtual Server , Port Trigger , DMZ , UPnP)
- 1KV isolation for PoE P.D.
- Wireless connecting status monitoring
- Versatile modes & event alarm by e-mail
- Event Warning by Syslog, Email, SNMP Trap, Relay and Beeper
- Rigid IP-67 waterproof housing design

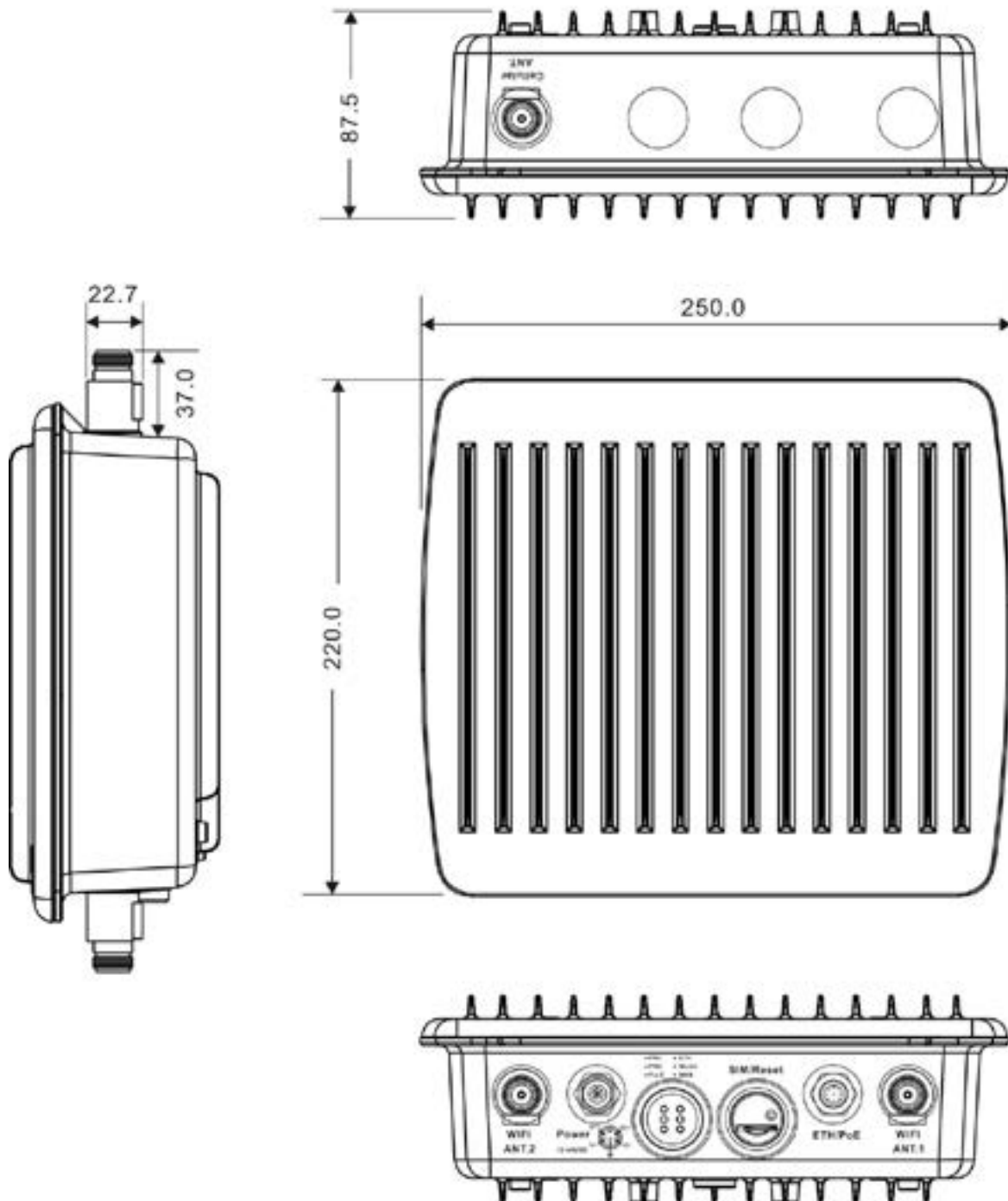


TGAR-W1061+-4G-M12

IP-67/EN50155 3.5/4G/LTE Cellular Router

Dimension

Dimension (Unit =mm)



Specifications

ORing AP Router Model	TGAR-W1061+-4G-M12
Physical Ports	
10/100/1000Base-T(X) Ports in M12 Auto MDI/MDIX (8-pin A-coding)	1
PoE P.D. port	Fully compliant with IEEE 802.3af Power Device specification Over load & short circuit protection Isolation Voltage: 1000 VDC min. Isolation Resistance : 10 ⁹ ohms min
Sim Card Slot	1
Cellular Interface	
Cellular Standard	GSM / GPRS/ EGPRS/ EDGE / WCDMA / HSDPA / HSUPA /HSPA+ /LTE
Antenna Connector	1 x External N-Type female antenna connector
Band Option	America(US) LTE: 700/1700/2100/ MHz UMTS/HSDPA/HSUPA/HSPA+/DC-HSPA+: 800/850/1900/2100 MHz GSM/GPRS/EDGE: 850/900/1800/1900 MHz Europe(EU) LTE: 800/900/1800/2100/2600 MHz UMTS/HSDPA/HSUPA/HSPA+/DC-HSPA+: 900/2100 MHz GSM/GPRS/EDGE: 900/1800/1900 MHz
WLAN interface	
Antenna Connector	2 x External N-Type female antenna connector
Modulation	IEEE802.11b: CCK/DQPSK/DBPSK IEEE802.11a/g: OFDM IEEE802.11n: BPSK, QPSK, 16-QAM, 64-QAM
Frequency Band	America / FCC: 2.412~2.462 GHz (11 channels) 5.180~5.240 GHz & 5.745~5.825 GHz (9 channels) Europe CE / ETSI: 2.412~2.472 GHz (13 channels) 5.180~5.240 GHz (4 channels)
Transmission Rate	802.11b: 1/2/5.5/11 Mbps 802.11a/g: 6/9/12/18/24/36/48/54 Mbps 802.11n(40MHz): UP to 300 Mbps
Transmit Power	802.11a: 12dBm ± 1.5dBm@54Mbps 802.11b: 17dBm ± 1.5dBm@11Mbps 802.11g: 16dBm ± 1.5dBm@54Mbps 802.11gn HT20: 15dBm ± 1.5dBm @MCS7 802.11gn HT40: 14dBm ± 1.5dBm @MCS7 802.11an HT20: 12dBm ± 1.5dBm @MCS7 802.11an HT40: 11dBm ± 1.5dBm @MCS7
Receiver Sensitivity	802.11a : -76dBm ± 2dBm@54Mbps 802.11b : -85dBm ± 2dBm@11Mbps 802.11g : -76dBm ± 2dBm@54Mbps 802.11gn HT20:-75dBm ± 2dBm@MCS7 802.11gn HT40:-72dBm ± 2dBm@MCS7 802.11an HT20:-74dBm ± 2dBm@MCS7 802.11an HT40:-71dBm ± 2dBm@MCS7
Encryption Security	WEP: (64-bit ,128-bit key supported) WPA/WPA2 :802.11i(WEP and AES encryption) WPA-PSK (256-bit key pre-shared key supported)

TGAR-W1061+-4G-M12

IP-67/EN50155 3.5/4G/LTE Cellular Router

	802.1X Authentication supported TKIP encryption
Wireless Security	SSID broadcast disable
LED Indicators	
Power indicator	3 x LEDs, PW1/PW2/PoE Green On : Power is on and booting up
10/100/1000T RJ45 port indicator	1 x LEDs, Green for port Link/ Act at 1000Mbps
WLAN LEDs:	1 x LEDs, Green for WLAN Link /Act
WAN LED	1 x LEDs, Green for WAN is on and functioning Normal
Power	
Redundant Input power	Dual DC inputs. 12-48VDC on M12 connector
Power consumption	9.5W
Overload current protection	Present
Reverse polarity protection	Present
Physical Characteristic	
Enclosure	IP-67
Dimension (W x D x H)	310 (W) x 310(D) x 87 (H) (12.2 x 12.2 x 3.4 inch)
Weight (g)	3990g
Environmental	
Storage Temperature	-40 to 85oC (-40 to 185°F)
Operating Temperature	-25 to 70°C (-13 to 158°F)
Operating Humidity	5% to 95% Non-condensing
Regulatory approvals	
EMI	FCC Part 15, CISPR (EN55022) class A, EN50155 (EN50121-3-2)
EMS	EN61000-4-2 (ESD), EN61000-4-3 (RS), EN61000-4-4 (EFT), EN61000-4-5 (Surge), EN61000-4-6 (CS), EN61000-4-8, EN61000-4-11
Shock	IEC60068-2-27, EN61373
Free Fall	IEC60068-2-32
Vibration	IEC60068-2-6, EN61373
Rail Traffic	EN50155
Cooling	EN60068-2-1
Dry Heat	En60068-2-2
Safety	EN60950-1
Warranty	5 years

Ordering Information

TGAR-W **A** **B** **C** **D** **E** **FF**

Code Definition	Cellular Module Number	2 nd Wireless Mode	1 st Wireless Mode	Giga Ethernet Port Number	PoE Identification	Cellular Generation
Option	1: One SIM	1: 802.11 b/g 2: 802.11 a 3: 802.11 a/b/g 4: 802.11 b/g/n 5: 802.11 a/n 6: 802.11 a/b/g/n	1: 802.11 b/g 2: 802.11 a 3: 802.11 a/b/g 4: 802.11 b/g/n 5: 802.11 a/n 6: 802.11 a/b/g/n	1: 1 ports	+ : PoE P.D. present at ETH	4G :LTE

	Model Name	Description
Available	TGAR-W1061+-4G-M12_US	Industrial IEEE 802.11 a/b/g/n 4G LTE Cellular router with 1x10/100/1000Base-T(X), PoE P.D., IP-67 grade, US band
Model	TGAR-W1061+-4G-M12_EU	Industrial IEEE 802.11 a/b/g/n 4G LTE Cellular router with 1x10/100/1000Base-T(X), PoE P.D., IP-67 grade, EU band

Packing List

- TGAR-W1061+-4G-M12 x 1
- Wall Mount Kit x 1
- CD x 1
- 2.4GHz/5GHz Antenna x 2
- Quick Installation Guide x 1
- Cellular Antenna x 1

Optional Accessories

- DR-45 series : 45 Watts power supply
- DR-120 series : 120 Watts power supply
- RF Antenna Base series
- DR-75 series : 75 Watts power supply
- WLAN RF Antenna series
- RF Cable series