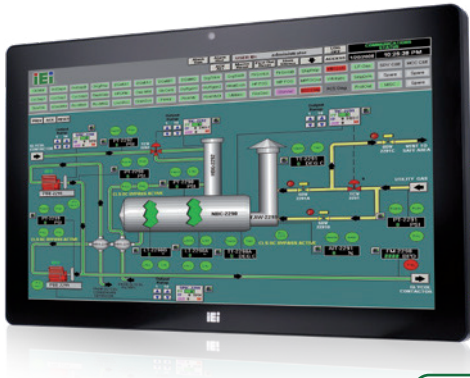


Panel PC - HMI



Features

- 18.5" light industrial interactive panel PC
- Wide range DC power input
- Selectable AT/ATX power mode
- Built-in speakers
- One mSATA slot
- IP64 compliant front panel
- IEI One Key Recovery solution allows you to create rapid OS backup and recovery (suggested with over 4GB storage capacity)



Specifications

Model		AFL3-W19C-ULT3	AFL3-W19A-AL	
LCD	Size	18.5"	18.5"	
	Resolution	1366 x 768 (16:9)	1366 x 768 (16:9)	
	Brightness (cd/m ²)	250	250	
	Contrast Ratio	1000:1	1000:1	
	LCD Color	16.7M	262K	
	Pixel Pitch (mm)	0.240 (H) x 0.240 (V)	0.240 (H) x 0.240 (V)	
	Viewing Angle (H-V)	170°/160°	170°/160°	
	Backlight MTBF(hrs)	30,000 (LED backlight panel)	30,000 (LED backlight panel)	
Touch	Touch Screen	Projected capacitive with USB interface (anti-UV / anti-glare coating)		
	Touch Controller	EETI EXC3180	EETI EXC3188	
Motherboard	CPU	Intel® Core™ i5 and Celeron® ULT Processor	Intel® Celeron® J3455 (quad core, 1.5GHz up to 2.3 GHz)	
	RAM	Two 260-pin 2133/1867 MHz dual-channel DDR4 SO-DIMMs (system max. 32 GB)	One 204-pin 1600/1333 MHz single-channel DDR3L SO-DIMM, 4GB pre-installed (system max. 8GB)	
	Ethernet	2 x Intel® I211-AT PCIe GbE controller	2 x PCIe GbE by Intel® i211 controller	
	Audio Codec	ALC892	ALC269	
Storage	1 x mSATA (E-Window) 1 x 2.5" SATA 3Gb/s HDD bay 1 x M.2 M key PCIe (2280 or 22110 PCIe signa)	1 x mSATA (E-Window) 1 x 2.5" SATA 3Gb/s HDD bay		
I/O Ports & Switch	1 x RS-232 by DB-9 (RI/5V/12V) 1 x RS-232/422/485 by DB-9 (RI/5V/12V) 2 x GbE LAN 4 x USB 3.2 Gen 1 (5Gb/s) 1 x HDMI output 1 x Power switch 1 x Reset button 1 x AT/ATX switch 1 x 9V ~ 30V lockable power jack		1 x RS-232/422/485 by RJ-45 1 x RS-232 by RJ-45 2 x GbE LAN 2 x USB 3.2 Gen 1 (5Gb/s) 2 x USB 2.0 1 x HDMI output 1 x 12V ~ 34V DC Jack 1 x Power switch 1 x AT/ATX switch 1 x Line out	
	E-Window Expansion	Yes, optional (full-size mini-PCIe slot with PCIe/SATA/USB)		
	Audio	AMP 3W + 3W (internal speaker)		
	Camera and Microphone	2-megapixel with low light function, digital microphone	2-megapixel with low light function, digital microphone	
	Wireless & Bluetooth	IEEE 802.11 a/b/g/n/ac, Bluetooth V4.1 M.2 slot A+E key 2230 slot (PCIe/USB signal)		
	OSD Function	Software OSD		
	Physical	Front Panel Construction	PC + ABS Plastic	PC + ABS Plastic
		Mounting	Panel, Wall, Stand and Arm VESA 75mm x 75mm / 100mm x 100mm	Panel, Wall, Stand and Arm VESA 100mm x 100mm
		Color	Black C	Black C
		Dimensions (W x H x D) (mm)	470 x 290 x 70	470 x 280 x 60
Cut-out Dimensions (W x H) (mm)		443 x 261	418 x 230	
Net/Gross Weight (kgs)		7.3/10	6.3/9	
Environment	Operating Temperature (Ambient with air flow)	-20°C ~ 50°C	-15°C ~ 50°C	
	Storage Temperature	-20°C ~ 60°C		
	Humidity	10% to 95% (non-condensing)		
	IP Level	IP 64 compliant front panel		
	Safety & EMC	CE / FCC		
	Thermal Solution	Fanless		
Power	Power Requirement	9V ~ 30V DC	12V ~ 34V DC	
	Power Consumption	12V@7.1A (Intel® Core™ i5-6300U CPU with 4GB DDR4 2133 MHz DDR4 memory)	12V@3.2A (Intel® Celeron J3455 CPU with 4GB DDR3L 1866 MHz DDR3L memory)	

Panel PC - HMI

Ordering Information

Part No.	Description
AFL3-W19C-ULT3-C/PC/4G-R14	Wide 18.5" 250 cd/m ² 1366 x 768 Panel PC with Intel® 14nm 6th Generation Mobile Celeron® 3955U (15W) on-board Processor (ULT), 1*4GB DDR4 RAM, 802.11a/b/g/n/ac WiFi module, PCAP touch, 2 M camera, microphone, R14
AFL3-W19C-ULT3-i5/PC/4G-R14	Wide 18.5" 250 cd/m ² 1366 x 768 Panel PC with Intel® 14nm 6th Generation Mobile Core™ i5-6300U (15W) on-board Processor (ULT), 1*4GB DDR4 RAM, 802.11a/b/g/n/ac WiFi module, PCAP touch, 2 M camera, microphone, R14
AFL3-W19A-AL-J2/PC/4G-R10	Wide 18.5" 250 cd/m ² 1366 x 768 Panel PC with Intel® Celeron® Processor J3455 (10W) on-board Processor (Apollo lake), 1*4GB DDR3L RAM, 802.11a/b/g/n/ac WiFi module, PCAP touch, 2 M camera, microphone, R10

Options

Item	AFL3-W19C-ULT3	AFL3-W19A-AL
Panel Mounting Kit	AFL3PK-W19C-R10	
Wall Mounting Kit	AFLWK-19B	
Arm	ARM-11-RS/ARM-31-RS	
Stand	STAND-A21-R10/ STAND-210-R11/STAND-A19-RS/STAND-C19-R10	
Magnetic Card Reader	AFL3P-W10MSR-U-R10	
Barcode Scanner	AFL3-2D-R11	
RFID Reader (13.56 MHz Mifare Type) (For ATO assembly)	AFL3-MF-RFID-KIT02-R10	
*OS: Win 7 Embedded (64-bit)	AFL3-W15C-ULT3-WES7P64-R10	N/A
*OS: Win 10 IOT Enterprise (64-bit)	AFL3-W15C-ULT3-W10E64-V-R10	AFL3-W19A-AL-W10E64-E-R10

*OS image with CD-ROM without storage

E-Window (for ATO assembly) **E-Window**

Part No.	Description
E-MPCIE-LAN02-R10	PCIe Mini card supports 1-port GbE with Realtek RTL8111HN-CG controller, with PMS 194C I/O bracket and 340 mm cable, R10
E-MPCIE-3G-R10	PCIe Mini card supports 3G WWAN, with PMS 130C I/O bracket, RF antenna 300mm cable and GSM antenna cable, R10

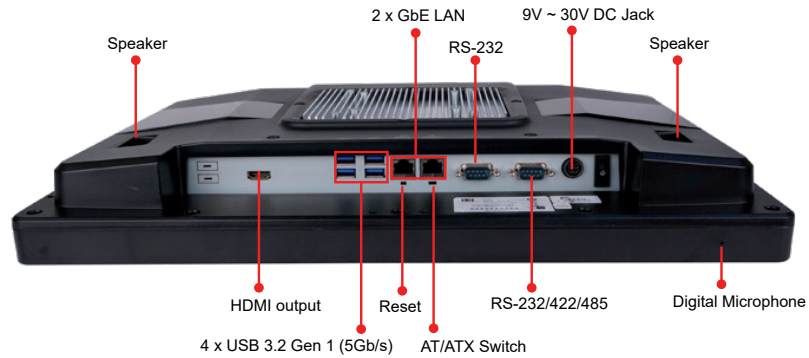
Packing List

Item	Part No.	Q'ty	Remark
Round head machine screw	44403-040061-RS	4	M2*4 round head machine screw
Pan head machine screw	44403-030052-RS	4	M4*6 pan head machine screw
Power adapter	63040-010096-100-RS (AFL3-W19C-ULT3) 63040-010060-120-RS (AFL3-W19A-AL)	1	96W; Vin: 90V~264V AC; Vout: 12VDC 60W; Vin: 90V~264V AC; Vout: 12VDC
RJ-45 to DB-9 COM port transfer cable	32005-004600-100-RS (AFL3-W19A-AL)	1	300mm, 26AWG, (A) D-SUB 9 male, (B) RJ-45

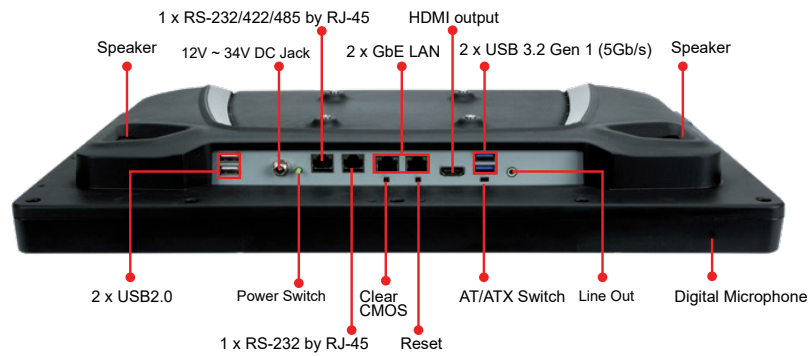
AFL3-W19C-ULT3

Panel PC - HMI

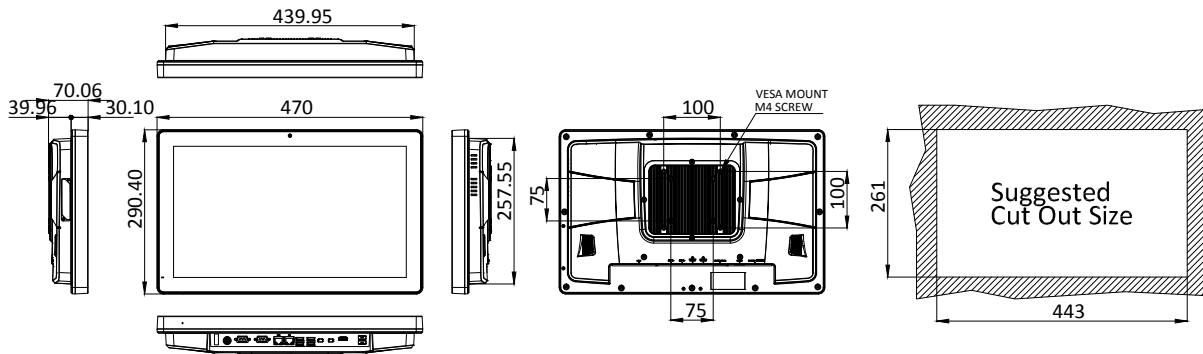
AFL3-W19C-ULT3 Fully Integrated I/O



AFL3-W19A-AL Fully Integrated I/O



AFL3-W19C-ULT3 Dimensions (Unit: mm)



AFL3-W19A-AL Dimensions (Unit: mm)

