

Digital Signage PC

Features

- High Definition AMD® R-series APU
- Four independent HDMI display video outputs
- Fanless design supporting 0°C ~ 50°C operating temperature
- SIM card support 3G/LTE wireless connection
- Support IPMI 2.0 via iRIS-2400 module



New Intelligent Digital Signage Solution

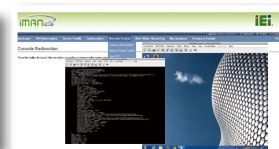
IEI iRIS Technology (IPMI 2.0 Compliant)

The IDS-200 is a next generation intelligent industrial digital signage system that supports four independent HDMI output displays. By installing the IEI IPMI 2.0 compliant iRIS-2400 module, the IDS-200 can benefit from the IPMI 2.0 features and allow system administrators to manage multiple systems remotely at the same time. The IDS-200 is capable to complete your IoT application through the advanced remote control features, such as power management and control, remote KVM for device status monitoring, sending active alerts and warning messages by e-mail or SMS.

Centralized control center:

In the control center, administrators can make remote diagnosis and remote OS installation without on-site visits. These great features can help users to increase system maintenance efficiency and reduce cost. Furthermore, administrators can install software remotely for the whole group, which can save your time and reduce maintenance cost significantly.

iRIS Remote Management Solution



Group Management Apps

Web UI for Single Device

Remote management any time any where:

By installing the iRIS-2400 module, users can achieve remote management from a variety of devices, such as notebooks, mobile phones, tablets or any devices that can be linked to the Internet. With the real-time monitoring feature, users can monitor system health without on-site checking. The active alert message feature allows users to prepare appropriate prevention strategies to reduce security risk.



Digital Signage PC

A Variety of Video Output

The IDS-200 supports AMD's SLS (Single Large Surface) technology which allows four independent HDMI display outputs and a variety of video wall screen combinations. It is the best choice to implement in digital signage or video wall applications.

■ Four independent displays (2 x 2 screens) ■ Tiled display (2 x 2 screens) ■ Tiled display (1 x 4 screens)

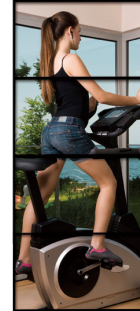
Each screen Max. resolution 1920x1080



Max. resolution 3840x2160



Max. resolution 1920x4320



*HDMI 2 and 4

When deploying 4 independent video outputs, the monitors connected to HDMI 2 and HDMI 4 connectors must be identical (with the same brand, model number and size).

High Definition AMD® R-series APU

The AMD® Embedded R-series Accelerated Processing Unit (APU) combines AMD® high performance CPU technology and powerful AMD® Radeon graphics technology onto a single chip. The IDS-200 contains an R-260H APU, balanced with TDP 17W power and Radeon HD 7500G graphics. It is the best solution for graphics processing.

■ High Definition AMD® R-series APU

◆ 3D Acceleration

- Full DirectX® 11 support, including full speed 32-bit floating point per component operations
- Shader Model 5
- OpenCL™ 1.1 support
- OpenGL 4.2 support

◆ UVD 3.2 dedicated hardware video decoder

- H.264, MPEG4 Part 2, VC-1 and MPEG2 decode6
- Simultaneous dual HD source decode

◆ VCE (Video Compression Engine) 1.0

- Hardware assisted encoding of HD video streams
- H.264 (baseline + CABAC) 1080p at 60 fps
- Real time transcoding

■ Target market of IDS-200



Entertainment

- ◆ Ultimate video solution Support up to 4 displays
- ◆ Great graphics processing Fulfill a variety of hardware decoder



Digital Signage



Gaming

Designed for high graphics performance



Video Wall

S/PDIF Digital Audio Interconnect



S/PDIF is called "Sony/Philips Digital Interface Format". It is a digital audio output and its quality is much better than analog audio. S/PDIF is based on the professional AES3 interconnect standard. It is widely applied in Dolby Digital or DTS surround sound.



Removable HDD/SSD Drive Bay

The IDS-200 has one easy-to-install HDD bay that supports 2.5" SATA 6Gb/s HDD.



SD Card Supported

The IDS-200 contains an SD card slot, allowing users to install and change media contents easily.



SIM Card Supported

The IDS-200 has a SIM card slot for 3G/LTE wireless connection. Users can deploy the IDS-200 in outdoor environments for easy wireless data transmission.



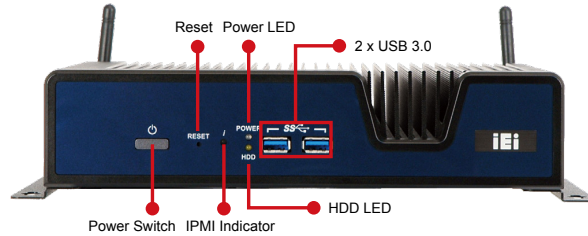
Digital Signage PC

Specifications

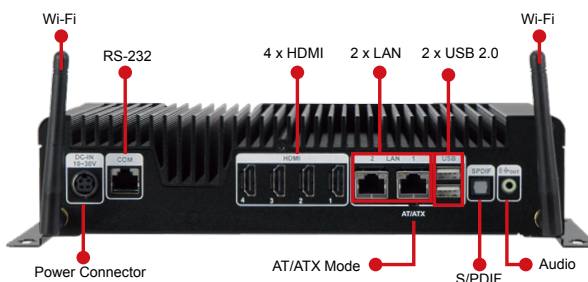
| Model Name | IDS-200-A70M | |
|----------------|-------------------------|---|
| Chassis | Color | Black |
| | Dimensions (WxDxH) (mm) | 251 x 173.35 x 57 |
| | System Fan | Fanless |
| | Chassis Construction | Aluminum alloys |
| Motherboard | CPU | AMD® R-series R-260H 2.1 GHz |
| | Chipset | AMD® A70M |
| | System Memory | 2 x 204-pin DDR3 SO-DIMM (4GB pre-installed) (system max: 16GB) |
| iRIS Module | iRIS Solution | 1 x iRIS-2400 (optional) |
| Storage | Hard Drive | 1 x 2.5" SATA 6Gb/s HDD/SSD drive bay |
| | SD Card | 1 |
| I/O Interfaces | USB 3.0 | 2 |
| | USB 2.0 | 2 |
| | Ethernet | 2 x RJ-45 1 x PCIe GbE by Intel® I210 1 x PCIe GbE by Intel® I211 |
| | COM Port | 1 x RS-232 (RJ-45) |
| | Display | 4 x HDMI |
| | Resolution | 1920 x 1080@60Hz |
| | Audio | 1 x Line-out, 1 x S/PDIF |
| | Wireless | 1 x 802.11b/g/n (optional) |
| | Other | 1 x SIM standard card slot |
| | Expansions | PCIe Mini |
| Power | Power Input | DC Jack: 10 V~30 V DC |
| | Power Consumption | 19 V@1.78 A (AMD® R-260H with 4 GB memory) |
| Reliability | Mounting | Wall mount, VESA mount 75 |
| | Operating Temperature | 0°C ~ 50°C with air flow, 10% ~ 90%, non-condensing |
| | Operating Shock | Half-sine wave shock 5G, 11ms, 3 shocks per axis |
| | Operating Vibration | MIL-STD-810F 514.5C-2 (with SSD) |
| | Weight (Net/Gross) | 5.24 kg/6.5 kg |
| OS | Safety/EMC | CE/FCC |
| | Supported OS | Microsoft® Windows® 8 Embedded, Microsoft® Windows® Embedded Standard 7 E |

Fully Integrated I/O

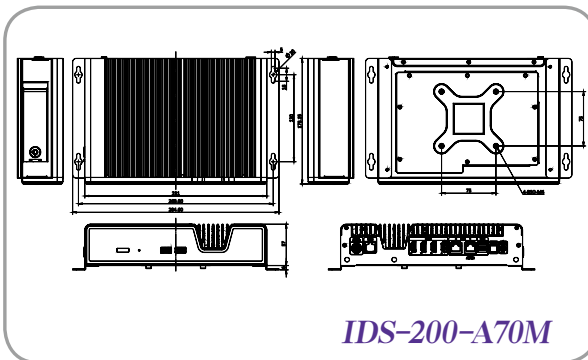
Front View



Rear View



Dimensions (Unit: mm)



Ordering Information

| Part No. | Description |
|----------------------|--|
| IDS-200-A70Mi/4G-R10 | Fanless embedded system, AMD® APU dual-core R260H 2.1 GHz, TDP 17W, 4GB DDR3 SO-DIMM (2 x 2GB) pre-installed, four HDMI, iRIS-2400 optional, 10 V~30 V DC input, R10, RoHS |

Options

| Part No. | Description |
|--------------------|---|
| iRIS-2400-R10 | IPMI 2.0 adapter card with AST2400 BMC chip for DDR3 SO-DIMM socket interface |
| MPCIE-3G-R10 | PCIe Mini 3G adapter card, RoHS |
| EMB-WIFI-KIT01-R11 | 1T1R Wi-Fi module kit for embedded system, IEEE802.11b/g/n, 1 x Wi-Fi module, 2 x RF cable, 2 x Antenna, RoHS |
| IDS-200-WESTE-R10 | OS Image with Windows® Embedded Standard 7 E for IDS-200 Series, with CD-ROM, RoHS |

Packing List

| Item | Qty | Description |
|----------------|-----|--|
| Utility CD | 1 | Drivers and user manual |
| Power adapter | 1 | Power adapter, FSP090-D2BA1, 9NA0902808, Active PFC, Vin:90~264VAC, 90W, DIM: 51x129x30.9 (mm), plug=6.5mm, cable=1500mm, Erp (no load 0.3W), Vout:19 V DC, 4-pin DIN with lock, CCL, RoHS |
| Power cord | 1 | Power cord, European code (VDE), 2, 1500 mm, (A) Plug (16 A 250 V) SH-005, (B) Connector (2.5 A 250 V) SM-112, cable spec.:H05VV-F 3C 0.75 mm Self-Man, CCL, RoHS |
| Screw pack | 1 | IDS-200 screw pack |
| Wall mount kit | 1 | Wall mount bracket, NCT processing formation, IDS-200, PAINTING, PMS Black C, 41020-0381XX, NCT(N), SECC, VER: 00, CCL, RoHS |