

Railway und Transportation

Features

- Intel® Skylake ULT processor
- Dual M12 LAN port
- VGA / DVI dual display
- Dual SIM card design
- 24V and 110V DC input (±40%) DC input
- 2 x 2.5" hot-swappable SATA SSD drive bay
- EN 50155

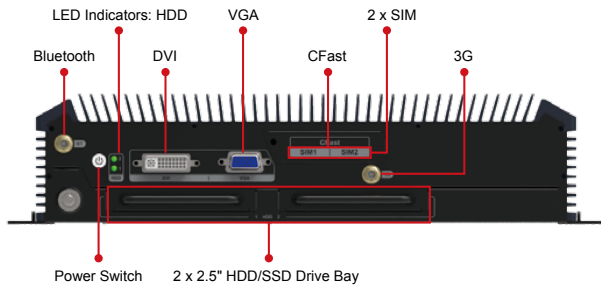


Specifications

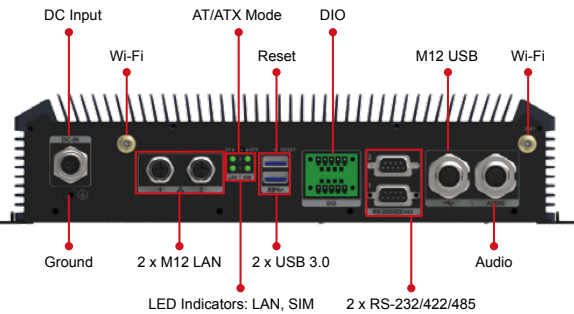
Model Name	IRS-100-ULT3	
Chassis	Color	Blue C
	Dimensions (WxHxD) (mm)	290 x 69 x 225
	System Fan	Fanless
	Chassis Construction	Extruded aluminum alloy
Motherboard	CPU	Intel® Core™ i5-6300U processor (dual-core, 2.4 GHz, 15W TDP)
	Chipset	SoC
	System Memory	2 x 260-pin DDR4 SO-DIMM 4GB pre-installed (system max. 32 GB)
Storage	Hard Drive	2 x 2.5" SATA 6Gb/s SSD drive bay
	CFast/CF Card	1 x CFast (SATA 6Gb/s)
	mSATA	1 x mSATA (SATA 6Gb/s)
Communication	WLAN	PCIe Mini Wi-Fi 802.11 a/b/g/n/ac (optional)
	Bluetooth	BT 4.0/3.0+HS (combo with WLAN optional module)
	WWAN	PCIe Mini WCDMA/HSDPA/HSUPA (optional)
I/O Interfaces	USB 3.0	2
	USB 2.0	1 (M12 connector)
	Ethernet	2 x M12 connector PCIe GbE by Intel® I211
	COM Port	2 x DB-9 RS-232/422/485 (with 1.5 kV isolation)
	Digital I/O	1 x Terminal block for 8-bit digital I/O (4-bit input/4-bit output, 1.5 kV isolation)
	Display	1 x VGA, 1 x DVI-D
	Resolution	VGA : Up to 1920 x 1200 @60Hz DVI-D : Up to 1920 x 1200 @60Hz
	Audio	1 x Line-out, 1 x Mic-in
	SIM	2 x SIM card slot
Expansions	PCIe Mini	2 x Full-size PCIe Mini (for WWAN / WLAN module)
Power	Power Input	M12 Connector: 24V and 110V DC input
	Consumption	24V @ 2A (Intel® i5-6300U with 4 GB DDR4 memory)
Reliability	Mounting	Wall mount
	Operating Temperature	-40°C ~ 70°C with air flow (with industrial SSD/CF), compliant with EN 50155
	Storage Temperature	-40°C ~ 85°C
	Humidity	10% ~ 95%, non-condensing
	Operating Shock	Compliant with EN 61373 Category 1 Class B
	Operating Vibration	Compliant with EN 61373 Category 1 Class B
	Weight (Net/Gross)	3.9 kg / 5.1 kg
Safety/EM C	CE/FCC, compliant with EN 50155, EN 50121-3-2	
OS	Supported OS	Microsoft® Windows® Embedded 8, Microsoft® Windows® Embedded Standard 7 E

Fully Integrated I/O

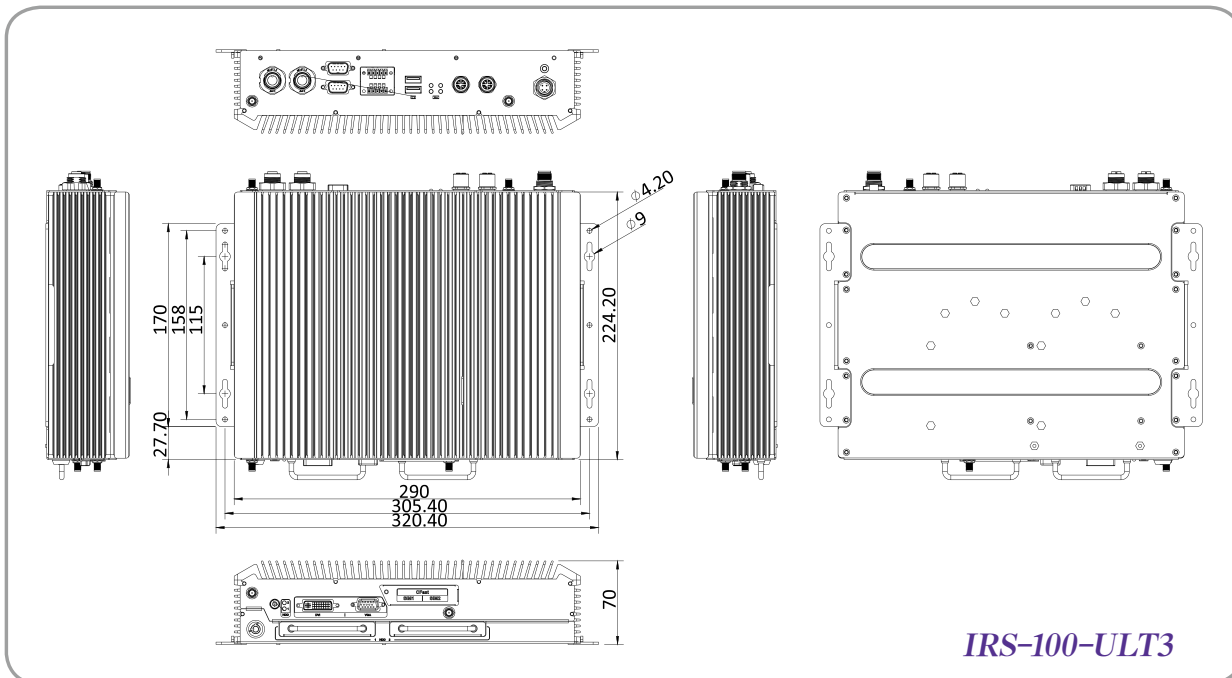
Front view



Rear view



Dimensions (Unit: mm)



Ordering Information

Part No.	Description
IRS-100-ULT3-I5/4G-R10	Fanless railway system with Intel® Core™ i5-6300U processor (15W), 4GB DDR4 pre-installed memory, two 2.5" SATA SSD bays, VGA, DVI, two M12 GbE LAN

Options

Item	Part No.	Description
OS	IRS-100-ULT3-WES7E64-R10	OS Image with Windows® Embedded Standard 7 E 64-bit for IRS-100-ULT3, DVD-ROM, RoHS
DC cable	32002-009000-100-RS	Power cable, 2000 mm, 16AWG, M12 5-pin female; label: V+, V-, GND; RoHS
USB cable	32001-022700-200-RS	USB cable, 2000 mm, 24AWG; (A) Amphenol LTW: M12 5-pin male IP68 (12-05BMMA-SL8001), (B) USB Type A 4-pin female; RoHS
LAN cable	32013-003400-100-RS	LAN cable, 1000 mm, 26AWG; (A) METZ: M12 plug 8-pin (MNF881A315-001), (B) RJ-45 8P8C plug; RoHS
Audio cable	32007-005400-100-RS	Audio cable, 1200 mm, 28AWG; (A) Amphenol LTW: M12 5-pin male (12-05BMMA-SL8001), (B) DC stereo jack: 3.5mm ² ; RoHS
Wireless Kit	IRS-100-WIFI-KIT02-R10	1T1R Wi-Fi module kit for embedded system, IEEE802.11a/b/g/n/ac Wi-Fi with Bluetooth 4.0/3.0+HS, 1 x Wi-Fi module, 2 x antennas, 2 x cables RoHS
WWAN Kit	IRS-100-3G-KIT02-R10	3G module kit for embedded system, F260, 1 x 3G module, 1 x antenna, 2 x cables, RoHS

Packing List

Item	Part No.	Qty	Description
Wall Mount Kit	41020-0474C2-00-RS	2	Wall mount bracket
Screw Pack	44015-030061-RS	16	Screw pack