

## Key Features

- Supports NVIDIA® GPU graphics card up to 120W TDP
- Patented thermal design to allow -25°C to 60°C wide-temperature operation
- Intel® 8th-Gen Core™ hexa-core 35W/ 65W LGA1151 CPU
- 6x GigE ports, supporting 9.5 KB jumbo frame
- M.2 2280 M key socket (Gen3 x4) supporting NVMe SSD or Intel® Optane™ memory
- 4x USB 3.1 Gen2 ports and 4x USB 3.1 Gen1 ports
- Accommodates two 2.5" SATA HDD/ SSD with RAID 0/ 1 support
- Compatible with MezIO™ interface for function expansion
- Patented ventilation design\* for graphics card

\*R.O.C Patent No. M534371/ M456527

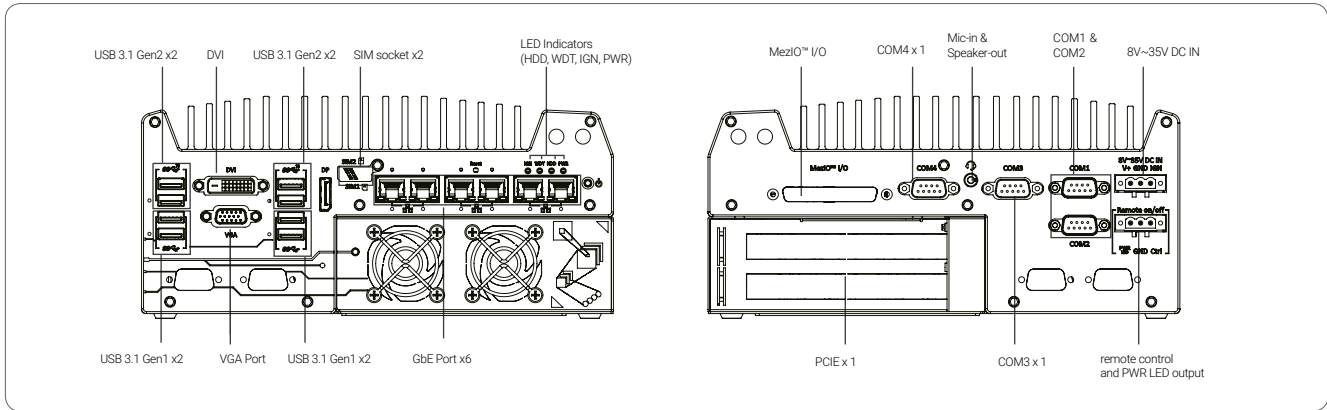
CE FC

## Specifications

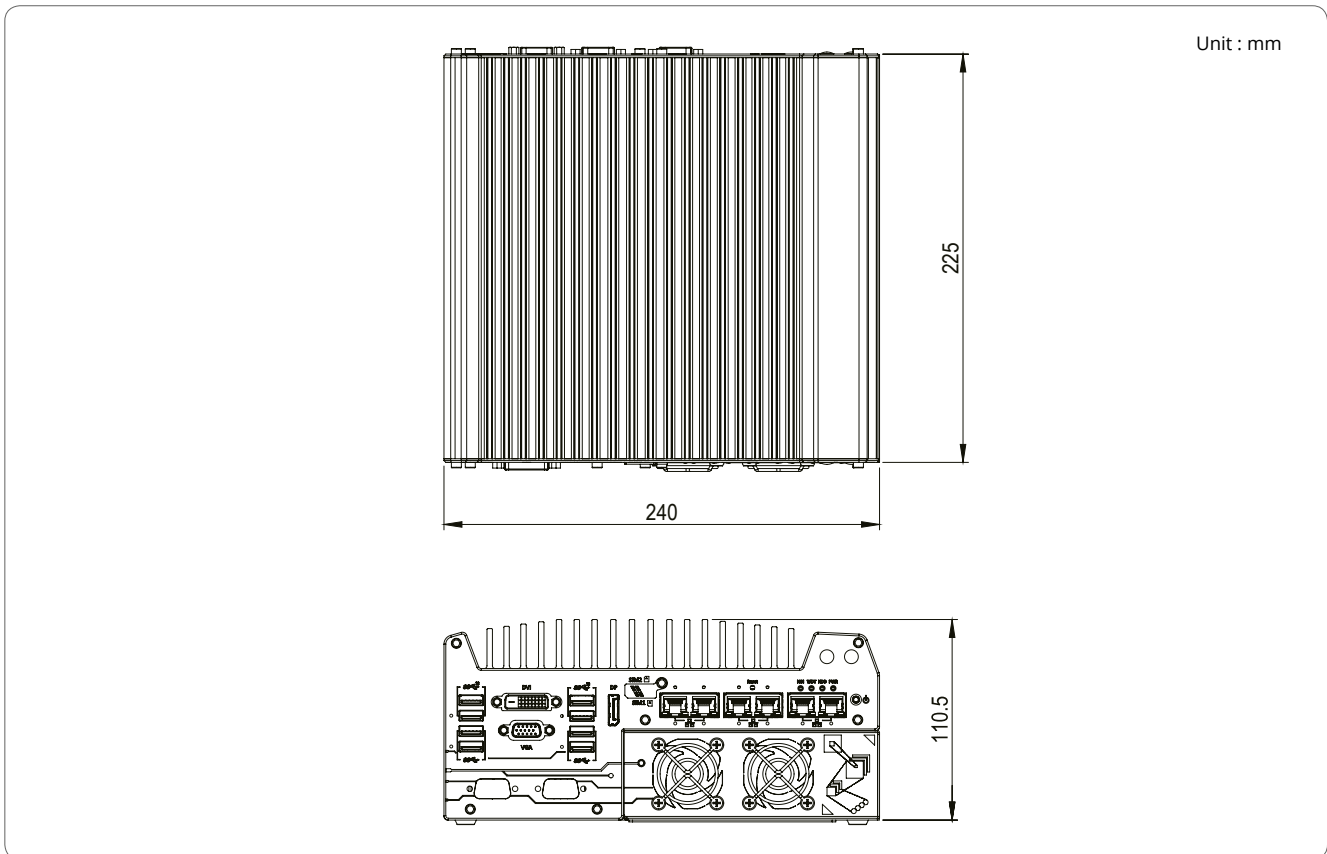
<b>System Core</b>	<b>Internal Expansion Bus</b>
<b>Processor</b>	<b>PCI/PCI Express</b>
Supporting Intel® 8th-Gen Coffee Lake CPU (LGA1151 socket, 35W/ 65W TDP)	1x PCIe x16 slot@Gen3, 16-lanes PCIe signals in Cassette for installing an NVIDIA® graphics card up to 120W TDP (Max. graphics card dimension is 188 mm(L) x 121 mm(W), dual slot allocation)
- Intel® Core™ i7-8700/ i7-8700T	<b>Mini PCI Express</b>
- Intel® Core™ i5-8500/ i5-8500T	1x full-size mini PCI Express socket with internal SIM socket (mux with mSATA)
- Intel® Core™ i3-8100/ i3-8100T	<b>M.2</b>
- Intel® Pentium® G5400/ G5400T	1x M.2 2242 B key socket with dual front-accessible SIM sockets, supporting dual SIM mode with selected M.2 LTE module
- Intel® Celeron® G4900/ G4900T	<b>Expandable I/O</b>
<b>Chipset</b>	1x MezIO™ expansion port for Neosys MezIO™ modules
Intel® Q370 Platform Controller Hub	<b>Power Supply</b>
<b>Graphics</b>	<b>DC Input</b>
Integrated Intel® UHD Graphics 630	1x 3-pin pluggable terminal block for 8~35VDC DC input
<b>Memory</b>	<b>Remote Ctrl. &amp; LED Output</b>
Up to 32 GB DDR4 2666/ 2400 SDRAM (two SODIMM slots)	1x 3-pin pluggable terminal block for remote control and PWR LED output
<b>AMT</b>	<b>Mechanical</b>
Supports AMT 12.0	<b>Dimension</b>
<b>TPM</b>	240 mm (W) x 225 mm (D) x 111 mm (H)
Supports TPM 2.0	<b>Weight</b>
<b>I/O Interface</b>	4.5 Kg (including CPU, GPU, memory and HDD)
<b>Ethernet</b>	<b>Mounting</b>
6x Gigabit Ethernet ports by I219 and 5x I210	Wall-mounting (standard) or DIN-Rail mounting (optional)
<b>PoE+</b>	<b>Environmental</b>
Optional IEEE 802.3at PoE+ PSE for Port 3 ~ Port 6 100 W total power budget	<b>Operating Temperature</b>
<b>USB</b>	With 35W CPU and 120W GPU -25°C ~ 60°C **
4x USB 3.1 Gen2 (10 Gbps) ports 4x USB 3.1 Gen1 (5 Gbps) ports	With 65W CPU and 120W GPU -25°C ~ 60°C */*** (configured as 35W TDP) -25°C ~ 50°C */** (configured as 65W TDP)
<b>Video Port (Integrated Graphics)</b>	<b>Storage Temperature</b>
1x VGA connector, supporting 1920 x 1200 resolution 1x DVI-D connector, supporting 1920 x 1200 resolution 1x DisplayPort connector, supporting 4096 x 2304 resolution	-40°C ~ 85°C
<b>Serial Port</b>	<b>Humidity</b>
2x software-programmable RS-232/422/485 ports (COM1/ COM2) 2x RS-232 ports (COM3/ COM4)	10%~90% , non-condensing
<b>Audio</b>	<b>Vibration</b>
1x 3.5 mm jack for mic-in and speaker-out	Operating, MIL-STD-810G, Method 514.6, Category 4
<b>Storage Interface</b>	<b>Shock</b>
<b>SATA HDD</b>	Operating, MIL-STD-810G, Method 516.6, Procedure I, functional shock=50g
2x internal SATA port for 2.5" HDD/ SSD installation, supporting RAID 0/ 1	<b>EMC</b>
<b>M.2</b>	CE/FCC Class A, according to EN 55032 & EN 55024
1x M.2 2280 M key socket (PCIe Gen3 x4) for NVMe SSD or Intel® Optane™ memory installation	
<b>mSATA</b>	
1x full-size mSATA port (mux with mini-PCIe)	

\*\* For i7-8700 running at 65W mode, the highest operating temperature shall be limited to 50°C and thermal throttling may occur when sustained full-loading applied. Users can configure CPU power in BIOS to obtain higher operating temperature.  
\*\*\* For sub-zero operating temperature, a wide temperature HDD or Solid State Disk (SSD) is required.

## Appearance



## Dimensions



## Ordering Information

Model No.	Product Description
Nuvo-7160GC	Intel® 8th-Gen Core™ GPU-computing platform with 6x GbE and MeziO™, supporting selected NVIDIA® 120W GPU
Option of 802.3at PoE+ for GbE ports 3 ~ 6	

## Optional Accessories

PA-280W-OW	280W AC/DC power adapter 24V/11.67A; 16AWG/100cm; Cord end terminals for terminal block, operating temperature : -30°C to 60°C.
------------	---