

Panel PC - HMI



Features



- Intel® Atom™ E3845 / E3826 / J1900 processor on board
- Fanless and quiet design
- 2 x GbE LANs, with PoE as option
- CFast slot
- 1 x external SD card and 1 x SIM slot
- Optional 3G module
- Optional wireless LAN module
- Supports wide range voltage DC in (9~36V)
- Supports wide range temperature (E3845 / E3826 only)
- Aluminum front bezel

Specifications



System

CPU Type	Intel® Atom™ E3845/E3826/J1900 processor
Chipset	Intel® SoC
Memory Support	1 x DDR3L SO-DIMM socket, memory up to 8GB
Front Bezel	Aluminum
IP65	Yes (for front panel only)
Power Input	DC in 9~36V
Watchdog	1~255 seconds watchdog timer selectable
Operating System	Windows 7 / Windows 8.1 / WES7 / WES 8.1 Industry Pro / Windows 10 IoT LTSC 2016 / Ubuntu 14.04
Dimensions	408 x 308 x 70 mm (W x H x D)
System Weight	5.4 Kg
Mounting Support	Wall mount / VESA 75 / VESA 100
Certifications	FCC / CE

Display

LCD	15" XGA (resolution 1024 x 768) LCD panel
Touch Screen	5-wire resistive type (USB interface)

Applications

- Automation
- Retail / Chain Store
- Information

I/O Ports

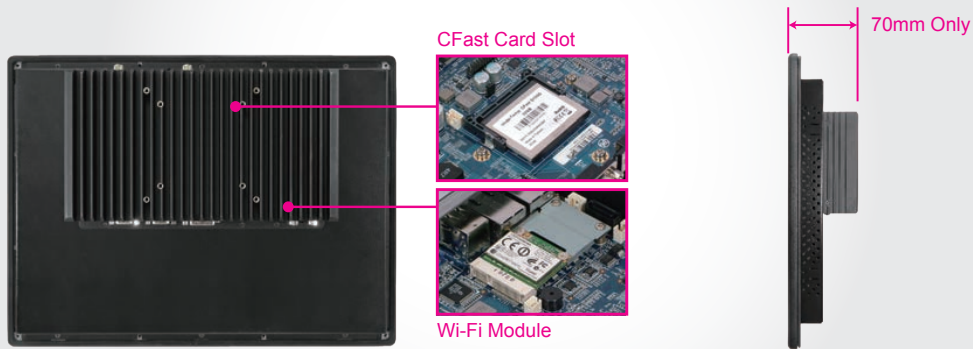
Power Input	1 x 2 pin DC in terminal block, supporting 9-36V DC
Power On/Off	1 x power on/off button
USB	2 x USB 2.0 + 1 x USB 3.0
Audio	1 x Line-out, 1 x MIC
Serial Ports	4 x COM ports (COM 1/2 with RI/5V/12V by jumper setting) COM 1/2 for RS-232/422/485 (setting by BIOS) COM 3/4 for RS-232
LAN with PoE	2 x GbE LANs with PoE as option, Wake-On-LAN, PXE LAN 1: Intel® I210IT LAN 2: Intel® I210IT 2 x PoE (IEEE 802.3af), max. 15.4W for each port
Display	1 x DVI-I (DVI-D+VGA)
Drive Bay	1 x 2.5" SATAII HDD
Expansion Slots	1 x CFast slot 1 x full size mini PCIe slot (mini PCIe, USB and SIM signal) 1 x half size mini PCIe slot (mini PCIe and USB signal)
SD Card Slot	1 x external SD card slot with cover
SIM Card Slot	1 x external SIM card slot with cover (for optional 3G module)

Environment

Operating Temp.	HDD: 0°C~40°C (32°F~104°F)
Ambient with air flow	Wide range temp. storage and peripherals: -20°C~55°C (-4°F~131°F) w/o audio and PoE, E3845/E3826 only Wide range temp. storage and peripherals: -20°C~50°C (-4°F~122°F) with PoE, w/o audio, E3845/E3826 only
Storage Temp.	-20°C~80°C (-4°F~176°F)
Humidity	20%~90%

Panel PC - HMI

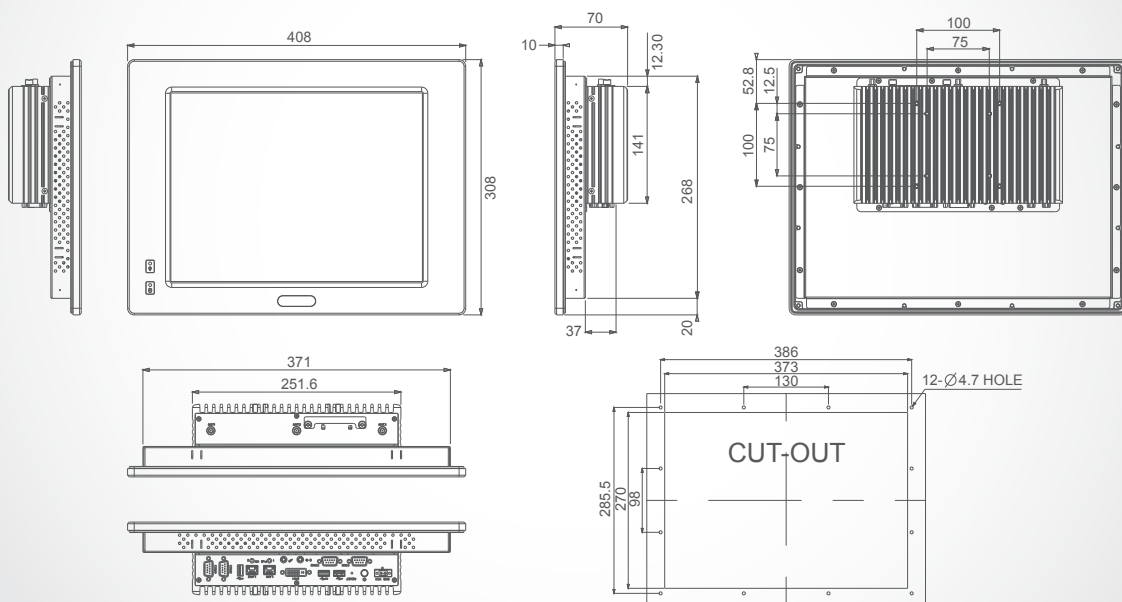
Highlights



I/O Panel View



Dimensions



unit: mm