

Display - Monitor

FEATURES

- 12.1" TFT XGA 4:3 LCD with Resistive 5-wire / Projected Capacitive Touch
- 1x VGA, 1x DVI-D, 1x DisplayPort, 1x USB 2.0, 1x COM, 1x Audio
- 9 to 48VDC wide range power input
- -10°C to 60°C extended operating temperature
- Designed with Aluminum Die-Casting Front Frame
- IP65 Compliant Front Panel
- Two 5W Internal Speakers Built-in
- Multi-language OSD built-in



SPECIFICATIONS

DISPLAY

| | |
|---------------------|---------------------------|
| LCD Size | 12.1" (4:3) |
| Max. Resolution | 1024 x 768 (XGA) |
| Brightness (cd/m2) | 500 |
| Contrast Ratio | 700:1 |
| LCD Color | 16.2M |
| Pixel Pitch (mm) | 0.24 (H) x 0.24 (V) |
| Viewing Angle (H-V) | 160 / 160 |
| Backlight MTBF | 50000 hrs (LED Backlight) |

TOUCH

| | |
|----------------------|---------------------|
| Resistive 5-wire | VIO-112R/MX100 only |
| Projected Capacitive | VIO-112C/MX100 only |

I/O

| | |
|-------------------|----------------------|
| VGA Input | 1x VGA Input |
| DVI-D Input | 1x DVI-D Input |
| DisplayPort Input | 1x DisplayPort Input |
| USB 2.0 Input | 1x USB 2.0 Input |
| COM Port Input | 1x COM Port Input |
| Audio Input | 1x Audio Input |

OTHER FEATURES

| | |
|------------------|---|
| Internal Speaker | AMP 5W + 5W |
| OSD | LCD On/Off, Auto, Menu, Up and Down, Multi-language |

POWER

| | |
|------------------------|--|
| Power Supply Voltage | 9~48VDC |
| Power Ignition Sensing | Power Ignition Management |
| Power Connector | 3-pin Terminal Block |
| Power Adaptor | Optional AC/DC 12V/5A, 60W |
| Power Protection | OVP (Over Voltage Protection) OCP (Over Current Protection) Reverse Protection |

ENVIRONMENT

| | |
|---------------------------|-----------------------------|
| Operating Temp. | -10°C to 60°C |
| Storage Temp. | -20°C to 70°C |
| Relative Humidity | 10%~80% (non-condensing) |
| IP Level | IP 65 Compliant Front Panel |
| Standards / Certification | CE, FCC Class A |

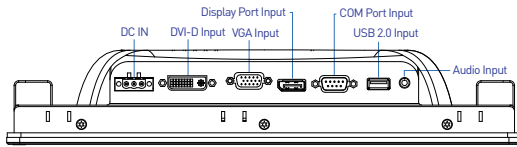
PHYSICAL

| | |
|--------------------------|--|
| Front Panel Construction | Die-cast Flat Surface |
| Dimension | 338 (W) x 262 (D) x 61.7 (H) mm |
| Weight | VIO-112R/MX100: 4.35 kg VIO-112C/MX100: 4.25 kg |
| Mounting | VESA Mounting Holes 75 x 75mm, 100 x 100mm |

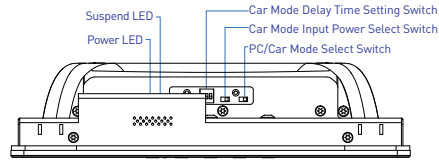
Display - Monitor

EXTERNAL I/O MECHANICAL LAYOUT

Rear I/O

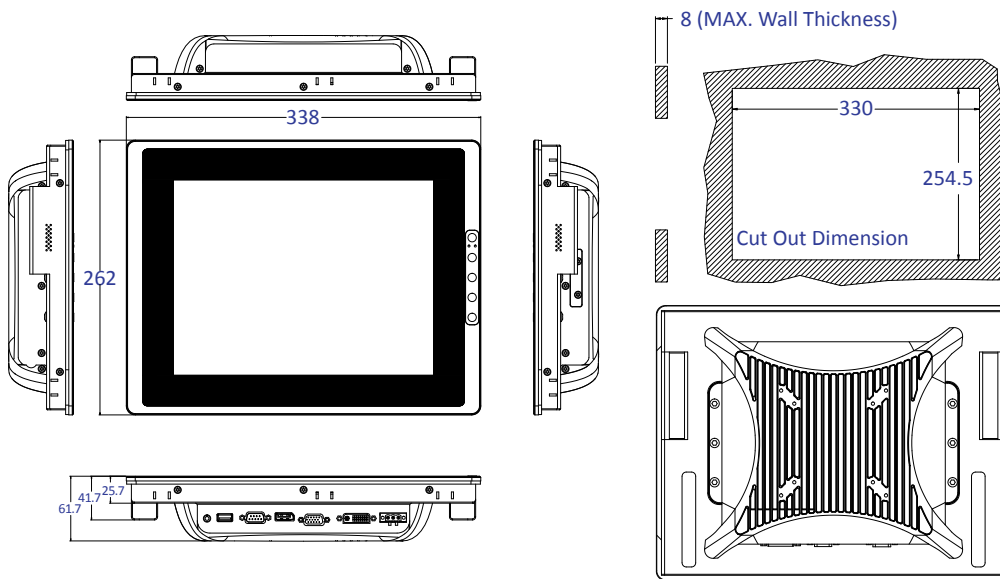


Right I/O



DIMENSION

Unit: mm



AVAILABLE MODELS

| MODEL NO. | DESCRIPTION |
|----------------|---|
| VIO-112R/MX100 | 12.1" XGA Resistive Touch Monitor with 2x 5W Speaker |
| VIO-112C/MX100 | 12.1" XGA Capacitive Touch Monitor with 2x 5W Speaker |

OPTIONAL ACCESSORIES

| MODEL NO. | DESCRIPTION |
|-------------|--|
| 1-E09A06007 | Adapter AC/DC 12V 5A 60W with 3pin Terminal Block Plug 5.0mm Pitch |
| SFICBL022 | Power Cord, 3-pin US Type, 180cm |
| 1-TPCD00002 | Power Cord, European Type, 180cm |
| 1-TPCD00001 | Power Cord, 3-pin UK Type, 180cm |

PACKING LIST

- 1x VIO-112/MX100 Series Touch Monitor
- 10x Panel Mount Kit
- 1x USB Cable
- 1x VGA Cable
- 1x Screw Pack