

# VIO-W121-PC311P

## Panel PC - HMI

### FEATURES

- 21.5" TFT FHD 16:9 LCD with resistive 5-wire / projected capacitive touch
- Intel® Core™ processor i5-5350U, up to 2.9GHz / i3-5010U, 2.1GHz or Celeron® 3765U, 1.9GHz
- 1x 204-pin DDR3L SODIMM. max up to 8GB
- 1x 2.5" SATA HDD bay support RAID 0,1, 5, 2x mSATA, 2x SIM socket
- 2x full-size mini PCIe for communication or expansion modules
- 1x PCI expansion
- 2x LAN, 1x VGA, 1x DisplayPort
- 4x RS-232/422/485 (w/ 2x internal), 3x USB 3.0, 1x USB 2.0, Audio, DIO
- 9 to 48VDC wide range power input
- -10°C to 60°C extended operating temperature
- Designed with aluminum die-casting front Frame
- IP65 compliant front panel
- Two 10W internal speakers built-in
- Multi-language OSD built-in



### SPECIFICATIONS

#### DISPLAY

LCD Size	21.5" (16:9)
Max. Resolution	1920 x 1080 (Full HD)
Brightness (cd/m <sup>2</sup> )	300
Contrast Ratio	5000:1
LCD Color	16.7M
Pixel Pitch (mm)	0.248 (H) x 0.248 (V)
Viewing Angle (H-V)	178 / 178
Backlight MTBF	50000 hrs (LED Backlight)

#### TOUCH

Resistive 5-wire	VIO-W121R/PC311P Only
Projected Capacitive	VIO-W121C/PC311P Only

#### SYSTEM

Processor	- 5 <sup>th</sup> Gen Intel® Core™ i5-5350U Processor, Dual Core, 3MB Cache, up to 2.9 GHz - 5 <sup>th</sup> Gen Intel® Core™ i3-5010U Processor, Dual Core, 3MB Cache, 2.1 GHz - 5 <sup>th</sup> Gen Intel® Celeron® Processor 3765U, Dual Core, 2MB Cache, 1.9 GHz
-----------	--

System Chipset	SoC integrated
----------------	----------------

LAN Chipset	GbE1: Intel® i210-AT (Support Wake-on-LAN and PXE) GbE2: Intel® i218-LM (Support Wake-on-LAN and PXE)
-------------	--

Audio Codec	Realtek ALC888S
-------------	-----------------

System Memory	1x 204-Pin DDR3L 1333/1600MHz SODIMM. Max. up to 8GB
---------------	--

BIOS	AMI 128Mbit SPI BIOS
------	----------------------

Watchdog	Software Programmable Supports 1~255 sec. System Reset
----------	--

#### STORAGE

SSD/HDD	1x Removable 2.5" SATA HDD Bay Support RAID 0, 1, 5
---------	---

mSATA	2x mSATA (Shared by 2x Mini PCIe)
-------	-----------------------------------

SIM Socket	2x External SIM socket
------------	------------------------

#### EXPANSION

Mini PCI Express	2x Full-size Mini PCIe
------------------	------------------------

PCI	1x PCI
-----	--------

#### OTHER FEATURES

Internal Speaker	AMP 10W + 10W
------------------	---------------

OSD	LCD On/Off, Auto, Menu, Up and Down Multi-language
-----	--

#### I/O

VGA	1x VGA (or 1x DVI-D by Order)
-----	-------------------------------

DisplayPort	1x DisplayPort
-------------	----------------

COM	2x RS-232/422/485 2x RS-232/422/485 (internal)
-----	---

USB	3x USB 3.0, 1x USB 2.0
-----	------------------------

LAN	2x RJ45
-----	---------

Audio	1x Mic-in, 1x Speaker-out
-------	---------------------------

DIO	4 in / 4 out (Isolated)
-----	-------------------------

Universal I/O Bracket	1x Universal I/O Bracket (By mini PCIe interface)
-----------------------	---

Others	3x WiFi Antenna Holes 1x Power Switch, 1x AT/ATX Switch, 1x Remote Power On/Off
--------	---

#### OPERATING SYSTEM

Windows	Windows 10, Windows 8.1, WES8.1, Windows 7, WES7
---------	--

Linux	Linux kernel 3.X
-------	------------------

#### POWER

Power Mode	AT, ATX
------------	---------

Power Supply Voltage	9~48VDC
----------------------	---------

Power Ignition Sensing	Power Ignition Management
------------------------	---------------------------

Power Connector	3-pin Terminal Block
-----------------	----------------------

Power Adaptor	Optional AC/DC 12V/5A, 60W
---------------	----------------------------

Power Protection	OVP (Over Voltage Protection) OCP (Over Current Protection) Reverse Protection
------------------	--

#### ENVIRONMENT

Operating Temp.	-10°C to 60°C
-----------------	---------------

Storage Temp.	-20°C to 60°C
---------------	---------------

Relative Humidity	10%~80% (non-condensing)
-------------------	--------------------------

IP Level	IP 65 Compliant Front Panel
----------	-----------------------------

Standards / Certification	CE, FCC Class A
---------------------------	-----------------

#### PHYSICAL

Front Panel Construction	Die-cast Flat Surface
--------------------------	-----------------------

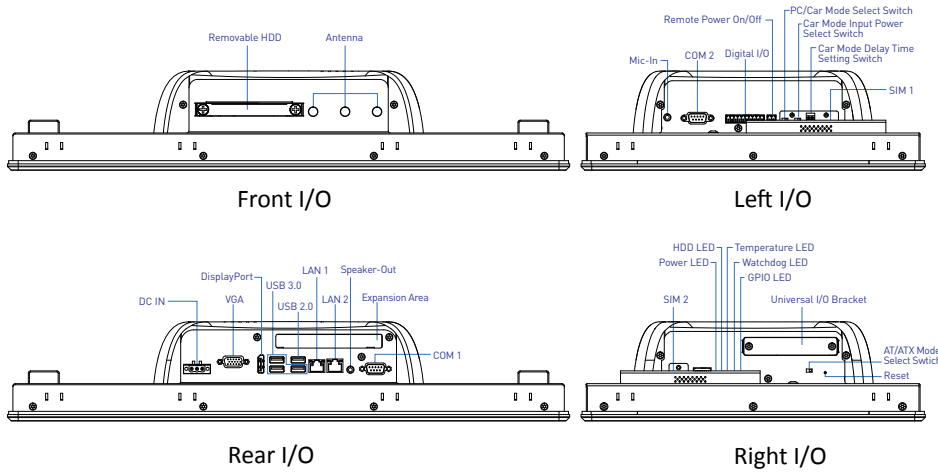
Dimension	563.5 (W) x 336 (D) x 93 (H)mm
-----------	--------------------------------

Weight	VIO-W121R/PC311P: 9.40 kg VIO-W121C/PC311P: 9.18 kg
--------	--

Mounting	VESA Mounting Holes 75 x 75mm, 100 x 100mm
----------	---

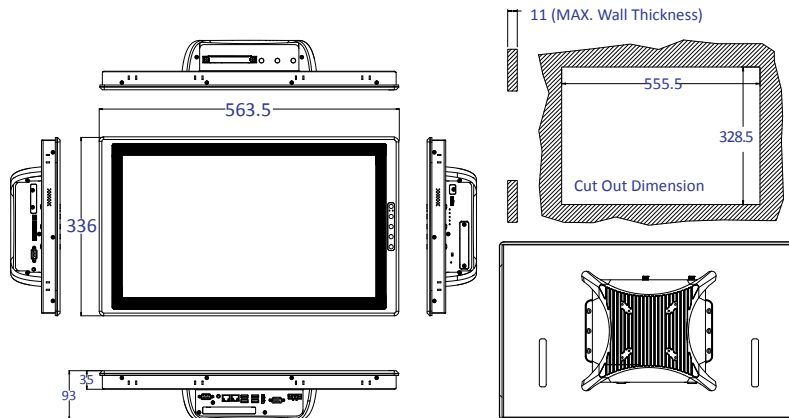
## Panel PC - HMI

### EXTERNAL I/O MECHANICAL LAYOUT



### DIMENSION

Unit: mm



### AVAILABLE MODELS

MODEL NO.	DESCRIPTION
VIO-W121R/PC311P-5350U	21.5" 16:9 FHD Resistive Touch Panel PC with Intel® i5-5350U Processor, 1x PCI Expansion
VIO-W121C/PC311P-5350U	21.5" 16:9 FHD Capacitive Touch Panel PC with Intel® i5-5350U Processor, 1x PCI Expansion
VIO-W121R/PC311P-5010U	21.5" 16:9 FHD Resistive Touch Panel PC with Intel® i3-5010U Processor, 1x PCI Expansion
VIO-W121C/PC311P-5010U	21.5" 16:9 FHD Capacitive Touch Panel PC with Intel® i3-5010U Processor, 1x PCI Expansion
VIO-W121R/PC311P-3765U	21.5" 16:9 FHD Resistive Touch Panel PC with Intel® Celeron® 3765U Processor, 1x PCI Expansion
VIO-W121C/PC311P-3765U	21.5" 16:9 FHD Capacitive Touch Panel PC with Intel® Celeron® 3765U Processor, 1x PCI Expansion

### OPTIONAL ACCESSORIES

MODEL NO.	DESCRIPTION
1-E09A06007	Adapter AC/DC 12V 5A 60W with 3pin Terminal Block Plug 5.0mm Pitch
SFICBL022	Power Cord, 3-pin US Type, 180cm
1-TPCD00002	Power Cord, European Type, 180cm
1-TPCD00001	Power Cord, 3-pin UK Type, 180cm

### PACKING LIST

- 1x VIO-W121/PC300 Series Panel PC
- 12x Panel Mount Kit
- 1x Utility DVD Driver
- 1x Screw Pack