

Medical Panel PC



Key Features

- Intel Skylake i7/i5/i3/Pentium fanless Medical Panel PC
- 19" 1280x1024 LED Panel
- **Highest level of medical safety protection**
EMC 4.0/ Safety 3.1 certification ready
- Anti-bacteria (MRSA) plastic housing
- Friendly design of hot-key function
- **Support Intel vPro technology by CPU**
- Optional PCI-E x16 expansion slot
- Optional 4KV LAN/COM/USB isolated I/O
- Optional built-in battery pack



Skylake

Isolation

Expansion

Main System

CPU	FCBGA1356 6th generation Intel® Core i7/i5/i3 processor (15W max.)
Chipset	SoC
VGA	Intel® integrated HD Graphics 520 by CPU
Memory	Two 2133 MHz DDR4 SODIMM socket support dual Channel, non-ECC, up to 32GB
Speaker	2 W x 2

LCD Panel

Size	19" 5:4
Resolution	SXGA 1280 x 1024
Color numbers	16.7M colors (RGB 6-bit + Hi FRC)
Viewing angle	170 (H) / 160 (V)
Contrast	1000:1 (Typ)
Brightness	350 nits

Touch Panel

Type	Full flat projective capacitive touch panel
Light transmission	90% ± 3%
Hardness	7H pencil, pressure 750g/45°
Life time	100M times

* OS support (Multi point) Win 7 pro, Win 8, Win 8.1 industrial, Win 10

Storage & Expansion

HDD	2.5" SATA HDD drive bay x 1
Expansion slot	<ul style="list-style-type: none"> • PCI-E x 4 expansion slot x 1 (25W max, can't co-exist with isolated module) [100mm (W) x 220mm (D) x 14mm (H)] • Mini PCIe x 1 (One full size support mSATA) • M.2 Type E x 1

I/O & Power & Control Keys

USB	USB 3.0 x 4
COM	RS232 x 1, RS232/422/485 x 1 (RS-485 auto flow support, Jumpless by BIOS)
LAN	RJ-45 x 2, Gigabit
Video-out	DP x 2
Audio	Line-out, Microphone-in (3.5 mm phone-jack)
Power input	DC-in x 1, DC 9~32V input (12V~28V with battery pack)
Power adaptor	AC input 90 ~ 264V / 47~63 Hz / DC output 12V, 100W
Power consumption	55.58 W (MAX. loading without adapter)
Control keys	Power on/off, Brightness, Audio volume, Backlight on/off, Clean me

Mechanical & Environmental

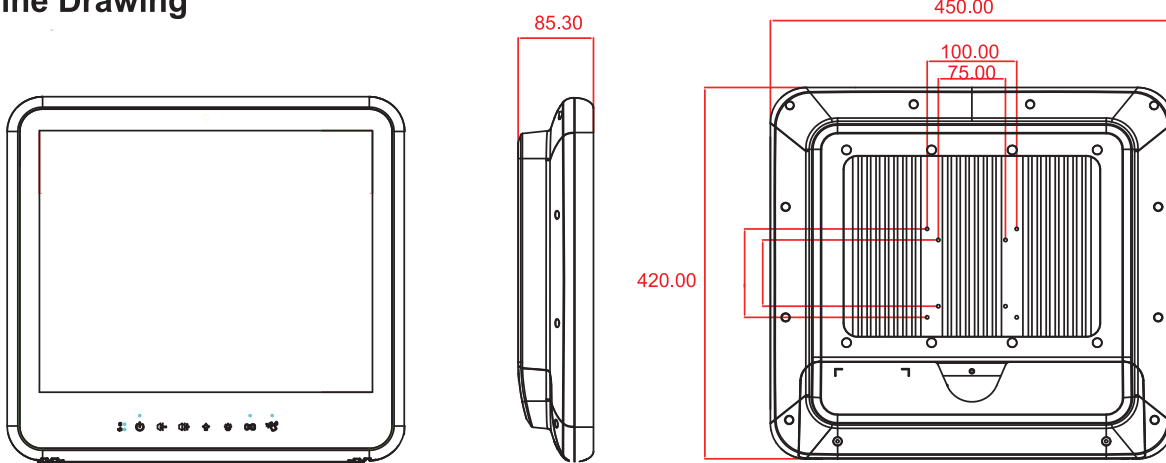
Housing	<ul style="list-style-type: none"> • Front: Full flat design / Touch (standard), • Rear: Plastic + I/O cover w/ antibacterial treatment • Anti-bacteria (MRSA)
Cooling	Fanless
IP rating	IP65 – front side
Dimension	450 x 420 x 85.3 mm (W x H x D, w/o stand)
Weight (net)	7.5 Kg (approximate, w/o power adaptor)
Temperature	Operating : 0°C~35°C (chamber) Storage : -20°C~60°C
Humidity	Operating & storage – 10%~90%, non-condensing
Regulatory	<ul style="list-style-type: none"> • FCC/CE/VCCI Class B • cULus Mark/UL60601-1 • EN60601-1 approved / ISO 14971 / IEC-62133 • Energy star 6.1 compliance

Ordering Information

WMP-19C (i5)	19" FANLESS	Core i5-6200U / DDR4 4G RAM /500G HDD/ Full flat P.cap touch
WMP-19C (i7)	19" FANLESS	Core i7-6500U / DDR4 4G RAM /500G HDD/ Full flat P.cap touch

Medical Panel PC

Outline Drawing

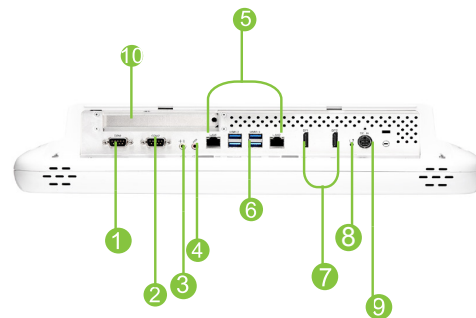


Options

- Power plug holder
- Wireless or Wireless + BT kit
- 3.2M pixel webcam module (USB)
- Battery pack (100W max.) Support add-on card 18W max.
- PCI-E x 4 riser card
- Equipotential terminal pin
- WMP series stand, VESA 75/100
- Microphone on I/O cover
- AG film
- mSATA module
- Power adaptor w/ 2.4m or 3.6m DC cable
- RFID (13.56Hz)
- TPM v1.2 module

Customization

- USB 5,6 or COM 3, 4
- 4KV Isolation Card x 1
(Isolation COM x 2, Isolation LAN x 1, Isolation USB x 1)



- ① RS232/422/485
- ② RS232
- ③ Line-out
- ④ Microphone-in
- ⑤ LAN x 2
- ⑥ USB 3.0 x 4
- ⑦ DP x 2
- ⑧ Reset
- ⑨ DC-in
- ⑩ PCI-E/PCI expansion

