

### Key Features



- Intel Skylake i7/i5/i3/Pentium fanless Medical Panel PC
- 21.5" 1920x1080 LED Panel
- **Highest level of medical safety protection**  
EMC 4.0/ Safety 3.1 certification ready
- Anti-bacteria (MRSA) plastic housing
- Friendly design of hot-key function
- **Support Intel vPro technology by CPU**
- Optional PCI-E x 4 expansion slot
- Optional 4KV LAN/COM/USB isolated I/O
- Optional built-in battery pack



Skylake

Isolation

Expansion

### Main System

<b>CPU</b>	FCBGA1356 6th generation Intel® Core i7/i5/i3 processor (15W max.)
<b>Chipset</b>	SoC
<b>VGA</b>	Intel® integrated HD Graphics 520 by CPU
<b>Memory</b>	Two 2133 MHz DDR4 SODIMM socket support dual Channel, non-ECC, up to 32GB
<b>Speaker</b>	1.5 W x 2

### LCD Panel

<b>Size</b>	21.5" wide 16:9
<b>Resolution</b>	1920 x 1080 (Full HD)
<b>Color numbers</b>	16.7M colors (RGB 6-bit + Hi FRC )
<b>Viewing angle</b>	170 (H) / 160 (V)
<b>Contrast</b>	1000:1 (Typ)
<b>Brightness</b>	250 nits

### Touch Panel

<b>Type</b>	Full flat projective capacitive touch panel
<b>Light transmission</b>	90% ± 3%
<b>Hardness</b>	7H pencil, pressure 750g/45°
<b>Life time</b>	100M times

\* OS support (Multi point) Win 7 pro, Win 8, Win 8.1 industrial, Win 10

### Storage & Expansion

<b>HDD</b>	2.5" SATA HDD drive bay x 1
<b>Expansion slot</b>	<ul style="list-style-type: none"> <li>• PCI-E x 4 expansion slot x 1 (25W max, can't co-exist with isolated module) [100mm (W) x 220mm (D) x 14mm (H)]</li> <li>• Mini PCIe x 1 (One full size support mSATA)</li> <li>• M.2 Type E x 1</li> </ul>

### I/O & Power & Control Keys

<b>USB</b>	USB 3.0 x 4
<b>COM</b>	RS232 x 1, RS232/422/485 x 1 (RS-485 auto flow support, Jumpless by BIOS)
<b>LAN</b>	RJ-45 x 2, Gigabit
<b>Video-out</b>	DP x 2
<b>Audio</b>	Line-out, Microphone-in (3.5 mm phone-jack)
<b>Power input</b>	DC-in x 1, DC 9~32V input (12V~28V with battery pack)
<b>Power adaptor</b>	AC input 90 ~ 264V / 47~63 Hz / DC output 12V, 100W
<b>Power consumption</b>	80 W ( Full loading )
<b>Control keys</b>	Power on/off, Brightness, Audio volume, Backlight on/off, Clean me

### Mechanical & Environmental

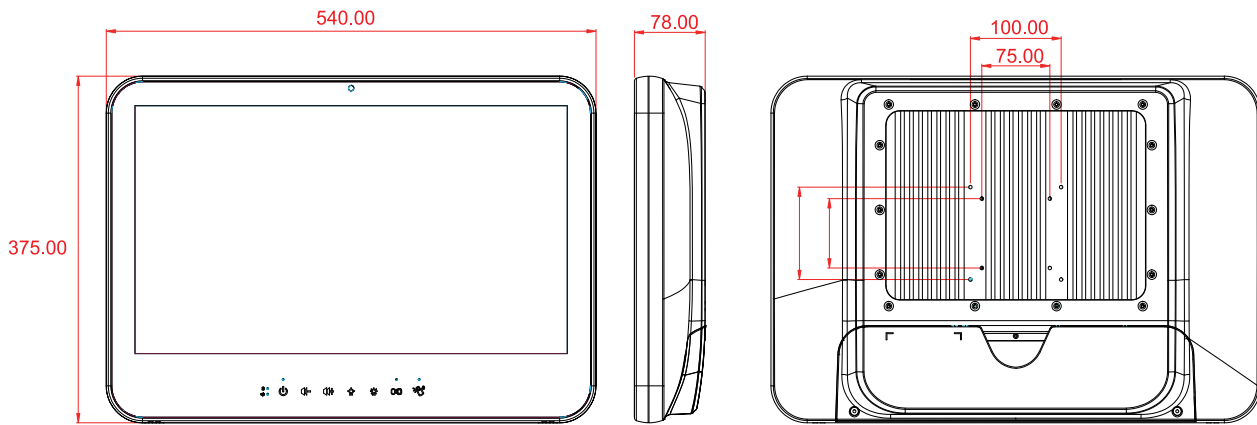
<b>Housing</b>	<ul style="list-style-type: none"> <li>• Front: Full flat design / Touch (standard), Glass (Customization)</li> <li>• Rear: Plastic + I/O cover w/ antibacterial treatment</li> <li>• Anti-bacteria (MRSA)</li> </ul>
<b>Cooling</b>	Fanless
<b>IP rating</b>	IP65 – front side
<b>Dimension</b>	540 x 375 x 78 mm (W x H x D, w/o stand)
<b>Weight (net)</b>	7.0Kg (approximate, w/o power adaptor)
<b>Temperature</b>	Operating : 0°C~35°C (chamber) Storage : -20°C~60°C
<b>Humidity</b>	Operating & storage – 10%~90%, non-condensing
<b>Regulatory</b>	<ul style="list-style-type: none"> <li>• FCC/CE/VCCI Class B</li> <li>• cULus Mark/UL60601-1</li> <li>• EN60601-1 approved / ISO 14971 / IEC-62133</li> <li>• Energy star 6.1 compliance</li> </ul>

### Ordering Information

WMP-22C (i5)	21.5" FANLESS	Core i5-6200U / DDR4 4G RAM / 500G HDD / Full flat P.cap touch
WMP-22C (i7)	21.5" FANLESS	Core i7-6500U / DDR4 4G RAM / 500G HDD / Full flat P.cap touch

## Medical Panel PC

### Outline Drawing

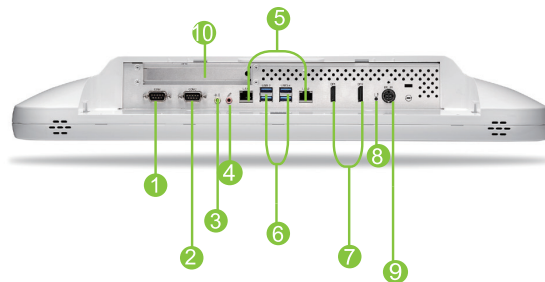


### Options

- Wireless or Wireless + BT kit
- 3.2M pixel webcam module (USB)
- Battery pack (100W max.)
- PCI-E x 4 riser card
- Equipotential terminal pin
- Microphone on I/O cover
- WMP series stand, VESA 75/100
- AG film
- mSATA module
- Power adaptor w/ 2.4m or 3.6m DC cable
- RFID (13.56Hz)
- TPM v1.2 module
- Power plug holder

### Customization

- Tempered glass
- USB 5,6 or COM 3, 4
- 4KV Isolation Card x 1  
(Isolation COM x 2, Isolation LAN x 1, Isolation USB x 1)



- ① RS232/422/485
- ② RS232
- ③ Line-out
- ④ Microphone-in
- ⑤ LAN x 2
- ⑥ USB3.0 x 4
- ⑦ DP x 2
- ⑧ Reset
- ⑨ DC-in
- ⑩ PCI-E/PCI expansion

