

Medical Panel PC



Key Features

NEW

- Highest level of medical safety protection
EMC 4.0/ Safety 3.1 certification ready
- Integrated hot-swappable batteries, 24/7 run-time
- Support Intel vPro technology by CPU
- M.2 type SATA SSD
- Support remote monitor / control / device update sw
- FHD capture card as option



Kabylake

Isolation

Anti-bacteria

Main System

CPU	Kabylake 7th generation Intel® Core i7/i5/i3/ Celeron processor (15W max.)
Chipset	SoC
VGA	Intel® integrated HD Graphics 620 by CPU
Memory	Two 2133 MHz DDR4 SODIMM socket support dual Channel, non-ECC, up to 32GB
Speaker	2 W x 2

LCD Panel

Size	Size: 21.5", wide 16:9, LED Backlight
Resolution	1920 x 1080 (Full HD)
Color numbers	16.7M colors (8 bits)
Viewing angle	178 (H) / 178 (V), MVA type
Contrast	3000:1 (Typ)
Brightness	250 nits

Touch Panel

Type	Full flat projective capacitive touch panel
Light transmission	90% ± 3%
Hardness	7H pencil, pressure 750g/45°
Life time	100M times

* OS support (Multi point) : Win 10

Storage & Expansion

SSD	M2. Type SATA SSD 2260 interface x 1, up to 512G
2nd storage	Optional 2.5" SATA HDD drive bay x 1 with doggy door, up to 1TB
Expansion slot	<ul style="list-style-type: none"> • PCI-E x 4 expansion slot x 1 (25W max.) Card size: 112.5 mm (W) x 190mm (D) x 25mm (H) (without side USB ports) • Mini PCIe x 1 (52 pin card-edge type) • M.2 Type E Key x 1

I/O & Power & Control Keys

USB	USB 3.0 x 4
COM	RS232 x 1, RS232/422/485 x 1 (RS-485 auto flow support, Jumpless by BIOS) RI with 5V/12V
LAN	RJ-45 x 2, Gigabit
Video-out	DP x 2
Audio	Line-out, Microphone-in (3.5 mm phone-jack)
Power input	DC-in x 1, DC 14~28V input (14V~28V with battery pack)
Power adaptor	AC input 90 ~ 264V / 47~63 Hz / DC output 18V, 100W
Power consumption	93.8 W (MAX. loading without adapter)
Control keys	Power, audio volume, brightness, read light, display backlight, Clean me, programmable button

Mechanical & Environmental

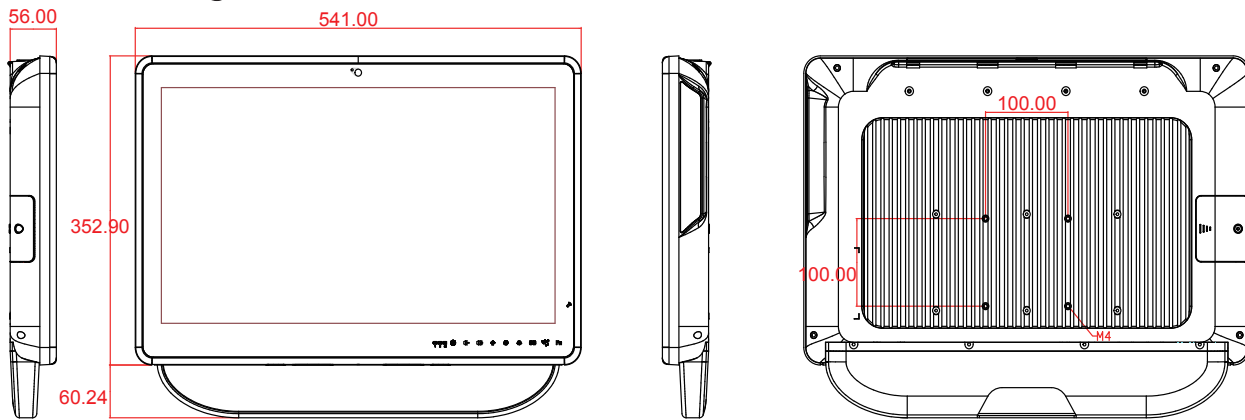
Housing	<ul style="list-style-type: none"> • Front: Full flat design / Touch (standard), • Rear: Plastic + I/O cover w/ antibacterial treatment • Anti-bacteria (MRSA)
Cooling	Fanless
IP rating	IP65 – front side
Dimension	541 x 352.9 x 56 mm (W x H x D, w/o stand)
Weight (net)	7.0Kg (approximate, w/o power adaptor)
Temperature	Operating : 0°C~35°C (chamber) Storage : -20°C~60°C
Humidity	Operating & storage – 10%~90%, non-condensing
Regulatory	<ul style="list-style-type: none"> • FCC/CE/VCCI Class B • cULus Mark/UL60601-1 • EN60601-1 approved / ISO 14971 / IEC-62133 • Energy star 6.1 compliance

Ordering Information

WMP-22G (i5)	21.5" FANLESS	Core i5 / DDR4 4G RAM / 128G SSD / Full flat P.cap touch
WMP-22G (i7)	21.5" FANLESS	Core i7 / DDR4 4G RAM / 128G SSD / Full flat P.cap touch
WMP-22G (i3)	21.5" FANLESS	Core i3 / DDR4 4G RAM / 128G SSD / Full flat P.cap touch

Medical Panel PC

Outline Drawing

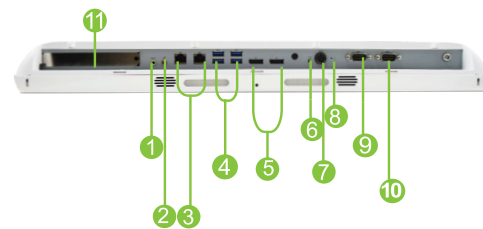


Options

Wireless or Wireless + BT kit
5M pixel webcam module (USB)
2.5" HDD or SSD module
Integrated hot-swappable batteries 81Wh x 3 (100W output max.)
Charger bank
Cable clean IO cover
Equipotential terminal pin
RFID (13.56MHz)
AG film
TPM v 2.0 module
FHD capture card
Smart card reader
Power adaptor w/ 2.4m or 3.6m DC cable
Power plug holder
WMP series stand, VESA 75/100

Customization

Tempered glass
5V1A power Jack
USB 3.1 gen2 (USB 5,6)
4KV Isolation: ISO COM x 2 + ISO LAN x 1 + ISO USB2.0 x 1 (need to take original COM x 2 and LAN x 1 ports' space)



- ① Line-out
- ② Microphone-in
- ③ LAN x 2
- ④ USB3.0 x 4
- ⑤ DP x 2
- ⑥ Reset
- ⑦ DC-in
- ⑧ Equipotential terminal pin
- ⑨ RS232/422/485
- ⑩ RS232
- ⑪ PCI-E expansion

