

TANK-620-ULT3

Industrial Computer Source
(Deutschland) GmbH

Box PC

Features

- Intel® Celeron® 3855U (1.6GHz, TDP=15W)
- Multiple COM ports (up to 14) with TX/RX signal LED indicator for data transmission indication
- Multiple USB & LAN
- 24-bit DIO control
- M.2 M-key slot and dual full-size PCIe Mini slot for expansion
- Easy accessible storage



Specifications

Model Name		TANK-620-ULT3
Chassis	Color	Black C + Silver
	Dimensions (WxDxH)(mm)	260 x 200 x100
	System Fan	Fanless
	Chassis Construction	Extruded aluminum alloys
Motherboard	CPU	Intel® Celeron® 3855U (1.6GHz, TDP=15W)
	Chipset	SoC
	System Memory	1 x 260-pin DDR4 SO-DIMM 1 x on-board DDR4 4GB pre-installed (system max: 32GB)
Storage	Hard Drive	2 x 2.5" SATA 6Gb/s HDD/SSD Bay
	CF	1 x CF card (optional*)
	NVRAM	1 Mb FRAM
I/O Interfaces	USB 3.0	4
	USB 2.0	4
	Ethernet	2 x RJ-45 PCIe GbE by Intel® I211-AT controller
	RS-232/422/485	6 x RS-232 (DB-9) 8 x RS-232/422/485 ports with automatic flow control (DB-9)
	Digital I/O	1 x 24-bit digital I/O (12-bit input/12-bit output)
	Display	2 x VGA, (1 x LVDS or 1 x VGA optional)
	Resolution	VGA: Up to 1920 x 1200 @60Hz LVDS: Up to 1920 x 1200 @60Hz (optional)
	Audio	1 x Mic in, 1 x Speaker out, 1 x Line out
	Wireless	1 x 802.11a/b/g/n/ac (optional)
	LED	Power LED, HDD LED, COM ports
	Others	1 x Power Button, 1 x System Reset, 1 x AT/ATX Switch
Expansions	PCIe Mini	2 x Full-size PCIe mini slot (PCIe by1, USB2.0)
	M.2	1 x M.2 2280 (M key,PCIe by 4, SATA co-lay SATA2)
Power	Power Input	9 ~ 36 V DC +/- 5%
	Power Consumption	12V@2.73A (Intel® Celeron® 3855U with 8GB memory)
Reliability	Mounting	Wall Mount
	Operating Temperature/Humidity	-30 ~ 70 °C with air flow (SSD), 10% ~ 95%, non-condensing
	Storage Temperature	-40 ~ 80 °C
	Operating Shock	Half-sine wave shock 5G, 11ms, 100 shocks per axis
	Operation Vibration	MIL-STD-810G 514.6C-1 (with SSD)
	Weight (Net/Gross)	4.4 kg/6.5 kg
	Safety / EMC	CE/FCC
Watchdog Timer	Programmable 1~255 sec/min	
OS	Supported OS	Microsoft® Windows 8 Embedded, Microsoft® Windows® Embedded Standard 7 E, Microsoft® Windows® 10

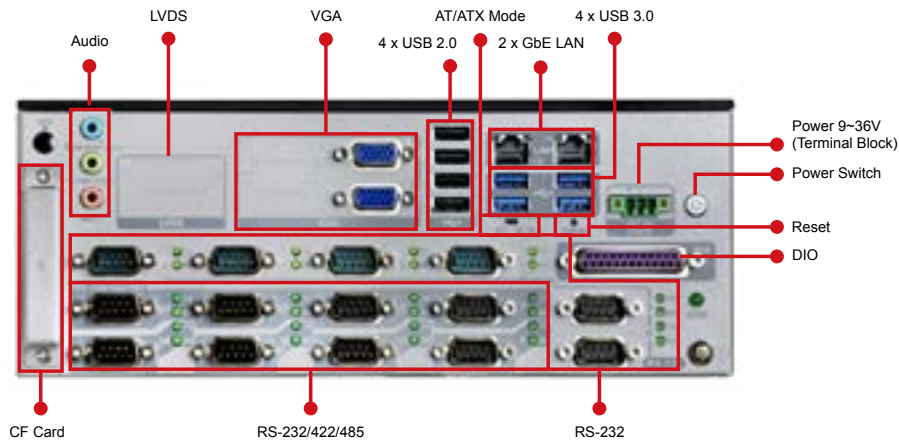
* only support with SATA converter card

TANK-620-ULT3

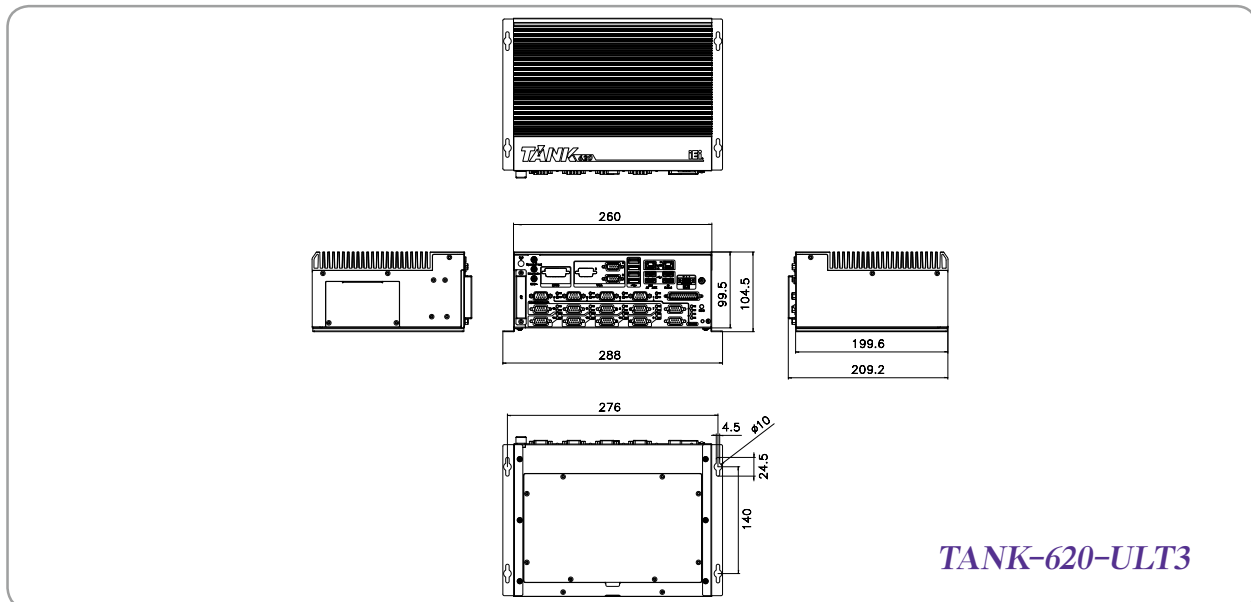
Industrial Computer Source
(Deutschland) GmbH

Box PC

Fully Integrated I/O



Dimensions (Unit: mm)



Ordering Information

Part No.	Description
TANK-620-ULT3-CE/4G-R10	Fanless wide temperature embedded system with Intel® Celeron® 3855U 1.6GHz (dual-core, TDP 15W), on-board 4GB DDR4 memory, 9 V~36V DC, with USB, dual VGA, dual Intel® PCIe GbE, COM, DIO, RoHS

Options

Part No.	Description
034SBM2-00-100-RS	VGA Module for TANK-620 only
034SBM2-01-100-RS	LVDS Module for TANK-620 only
32102-047200-200-RS	WIRE CABLE;POWER CABLE;2;200mm;18AWG;(A)DC JACK 5.5*2.5mm;(B)TERMINAL BLOCK-3P P=3.5;RoHS
63040-010060-210-RS	Adapter Power;FSP;FSP060-DHAN3;9NA0608010;Vin:90~264VAC;60W;Dim:62.0*110*31.5mm;Plug=7.5mm;Cable=1200mm;Erp(NO LOAD 0.21W);Vout:12VDC;Φ2.5/Φ5.5/lock;CCL;RoHS
32702-000200-100-RS	European power cord
EMB-WIFI-KIT01-R20	1T1R wifi module kit for embedded system, IEEE802.11a/b/g/n/ac WiFi with Bluetooth 4.0/3.0+HS, 1 x wifi module, 2 x 250mm RF cable, 2 x Antenna, RoHS
TANK-620-ULT3-WES7E64-R10	OS image with Windows® Embedded Standard 7E 64-bit for TANK-620-ULT3 series, with DVD-ROM, RoHS

Packing List

1 x Wall mount bracket	1 x Screw set
------------------------	---------------