

Box PC



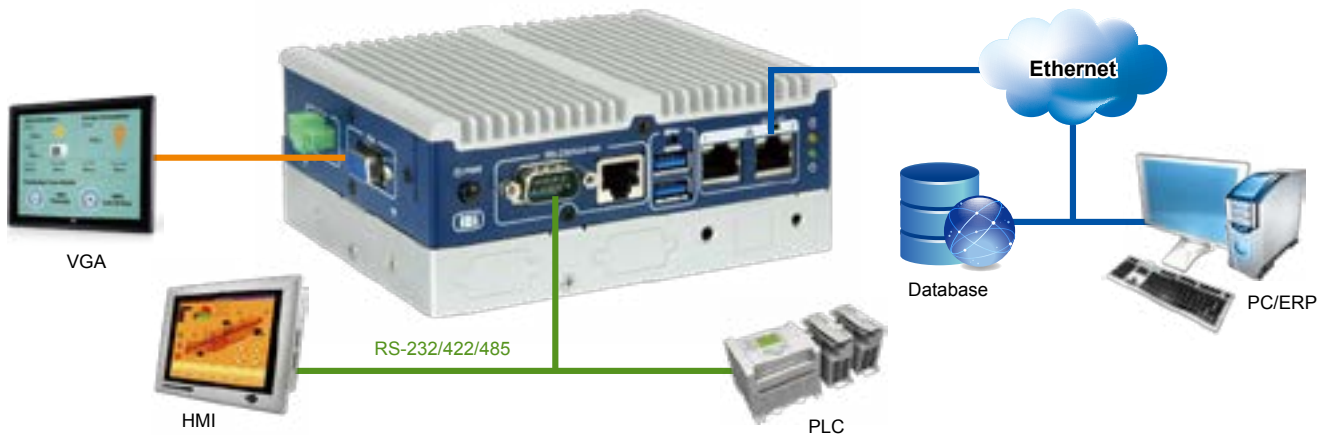
Features

- Intel®Atom™ x5-E3930 1.3GHz (up to 1.8 GHz)
- Two GbE LAN ports
- Two RS-232/422/485
- Full-size PCIe Mini slot and M.2 A-key slot for expansion



Intelligent Gateway

The ITG-100-AL equips with basic I/O ports and supports a wide range of operating temperature, making it suitable for acting the role as a data collection gateway in smart factory environments.



A Wide Range of Applications

Given its practical features, the ITG-100-AL can be applied to a variety of application fields, such as military, industrial automation, and traffic control.

Military

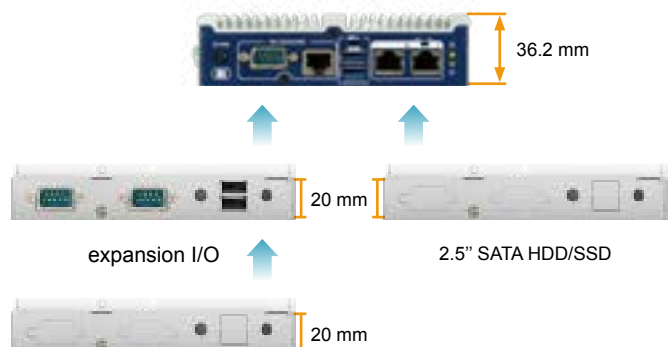
Industrial Automation

Traffic control



Multi-layer Feature

Additional block layers can be assembled to achieve I/O interface expansion and data storage requirement. With choices of adding a 2.5" SATA HDD/SSD bay, a knockout-hole layer with selectable I/O interface, or both of above-mentioned options, the ITG-100-AL could be modularized to what best fit users' preferences and still remaining its compact size.



Box PC

Functionality Expansions

In order to respond the demand of adding more functions to the system, the ITG-100-AL is designed with a full-size PCIe Mini slot reserved for 3G/4G and a M.2 A-key slot reserved for Wi-Fi to provide function expansions with easy access.



Full-size PCIe Mini



M.2 A key



Ultra-compact Size

Space limitation is one of the constraints commonly seen in today's industrial environment. Under tight restrictions, the ITG-100-AL not only provides palm-sized design to meet the space requirement, but also comes with adequate basic I/O interfaces for various applications.

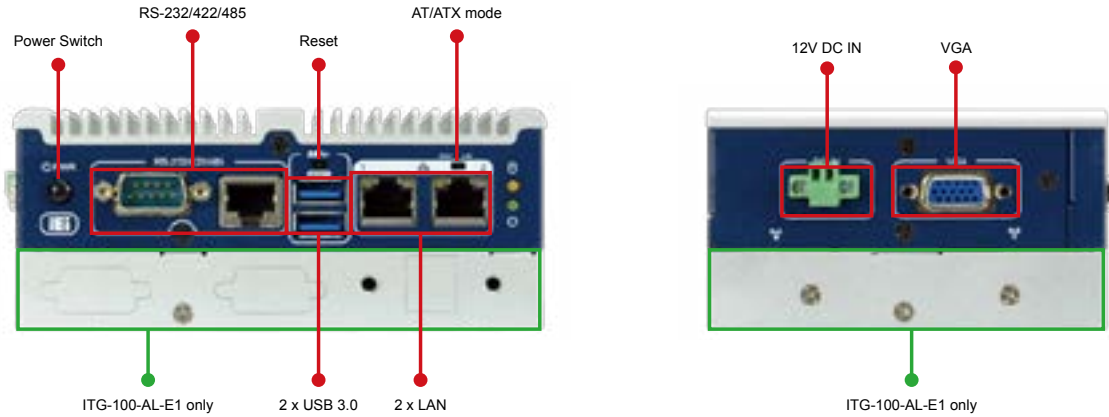


Specifications

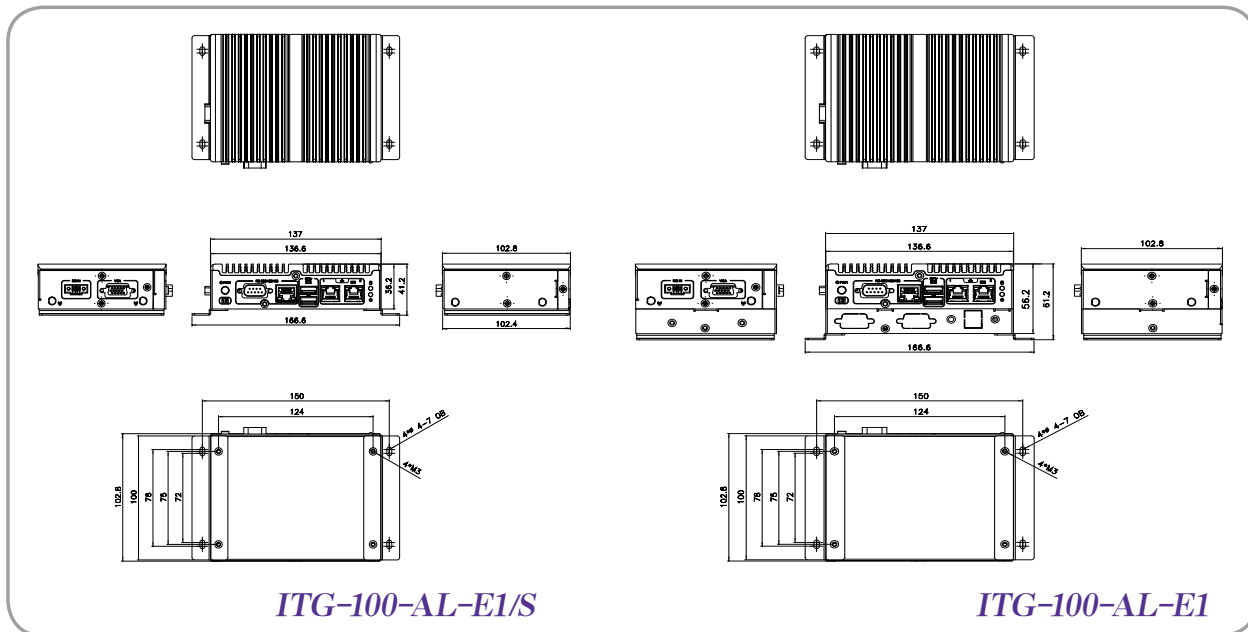
| Model Name | | ITG-100-AL-E1/S | ITG-100-AL-E1 |
|----------------|-----------------------|---|---|
| Chassis | Color | Blue & Silver | |
| | Dimensions (WxDxH) | Around 137 x 102.8 x 36.2 | 137 x 102.8 x 56.2 |
| | System Fan | Fanless | |
| | Chassis Construction | Extruded aluminum alloy | |
| Motherboard | CPU | Intel® Atom™ x5-E3930 1.3 GHz (up to 1.8GHz, dual-core, TDP=6.5W) | |
| | Chipset | SoC | |
| | System Memory | 1x 204-pin DDR3L SO-DIMM slot (system max. 8 GB) (ITG-100-AL-E1/2GB/S-R10 SKU is pre-installed with 2 GB memory) | 1x 204-pin DDR3L SO-DIMM slot (system max. 8 GB) (ITG-100-AL-E1/2GB-R10 SKU is pre-installed with 2 GB memory) |
| Storage | Hard Drive | N/A | 1 x 2.5" SATA 6Gb/s HDD/SSD bay |
| | eMMC | 1 x eMMC 5.0 support (up to 32GB optional) | |
| I/O Interfaces | USB 3.0 | 2 | |
| | USB 2.0 | 2 by pin-header (optional) | |
| | Ethernet | 2 x RJ-45 PCIe GbE by I211-AT controller | |
| | COM Port | 2 x RS-232/422/485 (DB-9/RJ45) 2 x RS-232 by pin-header (optional) | |
| | Digital I/O | 8-bit digital I/O, 4-bit input/4-bit output by pin-header (optional) | |
| | Display | 1 x VGA | |
| | Resolution | Up to 1920x1080@30Hz | |
| | Wireless | 1 x 802.11a/b/g/n/ac 1T1R (optional) | |
| | Others | 1 x Power Button, 1 x Reset Button, 1 x AT/ATX Switch, 1 x LED for HDD (Yellow), 1 x LED for Power (Green) | |
| | Expansions | M.2 | 1 x M.2 2230 (A key, PCIe by 1, USB2.0) |
| PCIe Mini | | 1 x Full-size PCIe Mini slot (supports mSATA, colay with SATA) | |
| Power | Power Input | 2-pin terminal block: 12 V DC | |
| Reliability | Mounting | DIN-rail / Wall mounting | |
| | Operating Temperature | -20°C ~ 60°C with air flow (SSD), 10% ~ 95%, non-condensing | |
| | Storage Temperature | -30°C ~ 70°C with air flow (SSD), 10% ~ 90%, non-condensing | |
| | Operating Shock | Half-sine wave shock 5G, 11ms, 100 shocks per axis, IEC68-2-27 | |
| | Operation Vibration | MIL-STD-810G 514.6C-1 (SSD) | |
| | Safety / EMC | CE/FCC | |
| | Watchdog Timer | Programmable 1~255 sec/min | |
| | IP Level | IP4X | |
| OS | Supported OS | Microsoft® Windows 10 / Linux | |

Box PC

Fully Integrated I/O



Dimensions (Unit: mm)



Ordering Information

| Part No. | Description |
|-------------------------|--|
| ITG-100-AL-E1/S-R10 | Fanless embedded system, Intel®Apollo Lake x5-E3930 1.3GHz (up to 1.8GHz, dual core), VGA, M.2, COM, 12V DC and RoHS |
| ITG-100-AL-E1/2GB/S-R10 | Fanless embedded system, Intel®Apollo Lake x5-E3930 1.3GHz (up to 1.8GHz, dual core), 2GB DDR3L pre-installed memory, VGA, M.2, COM, 12V DC and RoHS |
| ITG-100-AL-E1-R10 | Fanless embedded system, Intel®Apollo Lake x5-E3930 1.3GHz (up to 1.8GHz, dual core), VGA, M.2, COM, 12V DC, Flexible I/O Expansion and RoHS |
| ITG-100-AL-E1/2GB-R10 | Fanless embedded system, Intel®Apollo Lake x5-E3930 1.3GHz (up to 1.8GHz, dual core), 2GB DDR3L pre-installed memory, VGA, M.2, COM, 12V DC, Flexible I/O Expansion and RoHS |

Packing List

| | | |
|-----------------------------------|---------------|----------------------|
| 1 x SATA cable & SATA power cable | 1 x Screw kit | 1 x Mounting bracket |
|-----------------------------------|---------------|----------------------|