

Medical Display

Key Features



- 23.8" True Color Diagnostic Panel
- Anti-bacteria (MRSA) Plastic Housing
- IP65 at Front Side, IPx1 for Whole System
- Built-in a Pair of 5W Stereo Speakers
- Support HDMI, DP, DVI-D, Audio-in
- Support Optional Desktop Stand, and VESA 100
- IEC60601-1-2 4th Edition Compliance



LCD Panel

Size	23.8" wide 16:9
Resolution	Full HD 1920 x 1080
Color numbers	16.7M colors (8 bit)
Viewing angle	178 (H) / 178 (V)
Contrast	3000:1 (Typ)
Brightness	250 nits
Response Time (ms)	20 (Typ)
Backlight	LED
LCD MTBF(hrs)	30,000

I/O & Control Keys

USB	USB 2.0 input x 1 (for USB touch controller)
Audio input	3.5mm phone jack connector * 1 (Line-in)
DVI input	DVI-D x 1
DP input	DP x 1
HDMI input	HDMI 1.4a x 1
DC-in Jack	12V DC-in Jack
Speaker output	5W x 2
Reading light	Light bar x 2
Control keys	From right to Left Indicator/ Hot Key (Power Button // Auto / OSD OFF // Up / Speaker adjust // Down / Reading light // Menu / Enter)

Touch Panel

Type	Full flat projective capacitive touch panel (10 fingers)
Light transmission	90% ± 3%
Hardness	7H pencil, pressure 750g/ 45°
Life time	100M times

Power

Power input	DC12V, 60W MAX
Power adapter	AC input 90 ~ 264V / 47 ~ 63 Hz / DC output 12V
LED status indicator	Front bezel in power button / Green

Mechanical & Environmental

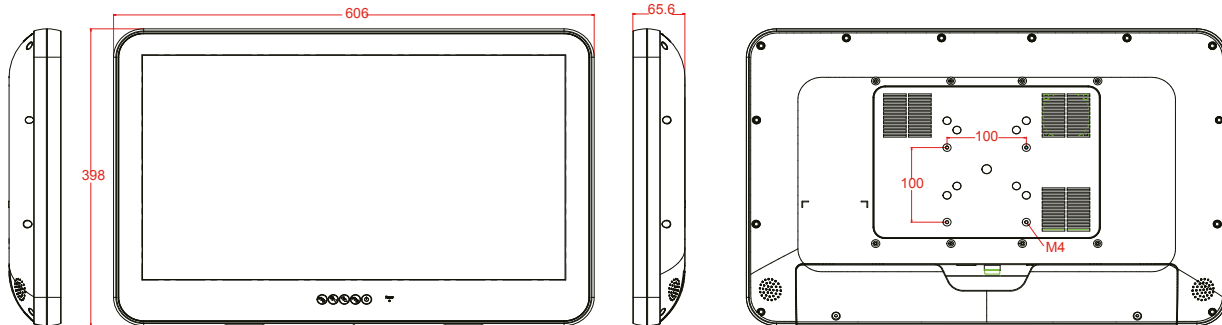
Housing	Plastic/ Hospital white
IP rating	IP65 – front side, IPx1 whole system
Operating Temp.	0~45°C (Burn-in, not airtight)
Storage Temp.	-20~60°C
Dimension	606 (H) x 398 (V) x 65.6 (T) (mm)
Weight (net)	8.65 kg (w/o power adapter)
Shock	Operating: 15g/0.53 oz, 11 ms, half sine wave
Vibration	Operating: 5 ~ 17 Hz , Amplitude : 0.1 17 ~ 500Hz , Acceleration : 1.0G
Drop	3 Feet height free drop pass
Humidity	Operating & storage-10%~90%, non-condensing
Kensington lock hole	One at bottom
Certification	Meet CE/FCC/VCCI Class B, IEC60601-1-2 4th Edition

Order information

WMD-243 PA	W/ Touch	24" Full Flat Touch Medical Grade Display
------------	----------	---

Medical Display

Outline Drawing



Options

WMP Stand, VESA 100, 10kg, white, L type,

HDMI cable

AG film

Equipotential terminal pin

Packing List

Medical power adapter 60W x 1

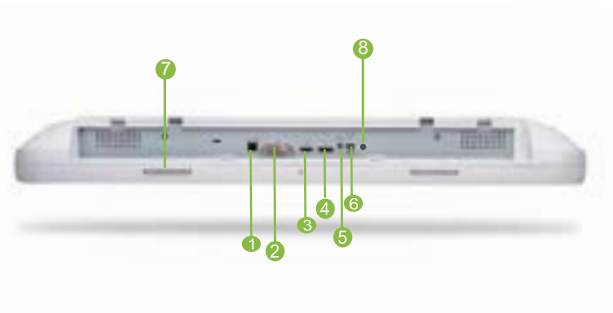
Power cord x 1

M4 Screws x 8

DP cable x 1

3.5mm audio cable x 1

USB 2.0 cable x 1



- ① USB
- ② DVI-D
- ③ HDMI x 1
- ④ DP x 1
- ⑤ Line in x 1
- ⑥ DC in
- ⑦ LED Reading Light
- ⑧ Equipotential terminal pin



**IEC60601-1
Compliance**