

Features

- Hardware H.264 Compression
- Wide temp range of -40°C ~ 85°C (-40°F ~ 185°F)
- PCI Express Mini Card form factor
- HDMI/ VGA/ DVI input interface
- Max capturing 1920 x 1080 60fps
- Up to 60Mbps encoding capability
- Low power consumption (1.5 Watts)

Introduction

The C353W is a PCI Express Mini video capture card on H.264 hardware compression which brings Full HD video capture with low CPU consumption. The C353W can ingest and capture HDMI, VGA, or DVI sources for monitoring, archiving or analyzing Full HD video content with more flexibilities and possibilities.

With encoding capabilities of up to 60Mbps and wide temperature range of -40°C ~ 85°C (-40°F ~ 185°F), the C353W provides industry-leading hardware and encoding performance that preserves the crystal-like video quality while maintaining low CPU loading in extreme environmental conditions.

It is endowed with full functions that are required for performing Full HD video capture for industrial and commercial markets such as in-vehicle data recording, military scenarios, machine vision or any industrial imaging. The C353W commits to shorten the development schedule and providing integrators with a complete and rugged solution towards building their own applications.

Wide Temperature

Various applications are often carried out under harsh and extreme environmental conditions. The thermally robust C353W is specifically designed to provide greater flexibility for rugged and industrial applications. Wide temperature support extends the operation temperature to a range of -40°C ~ 85°C (-40°F ~ 185°F). The C353W assures sustainable, reliable and stable video capture quality under extreme climatic environments.

Hardware H.264 Compression

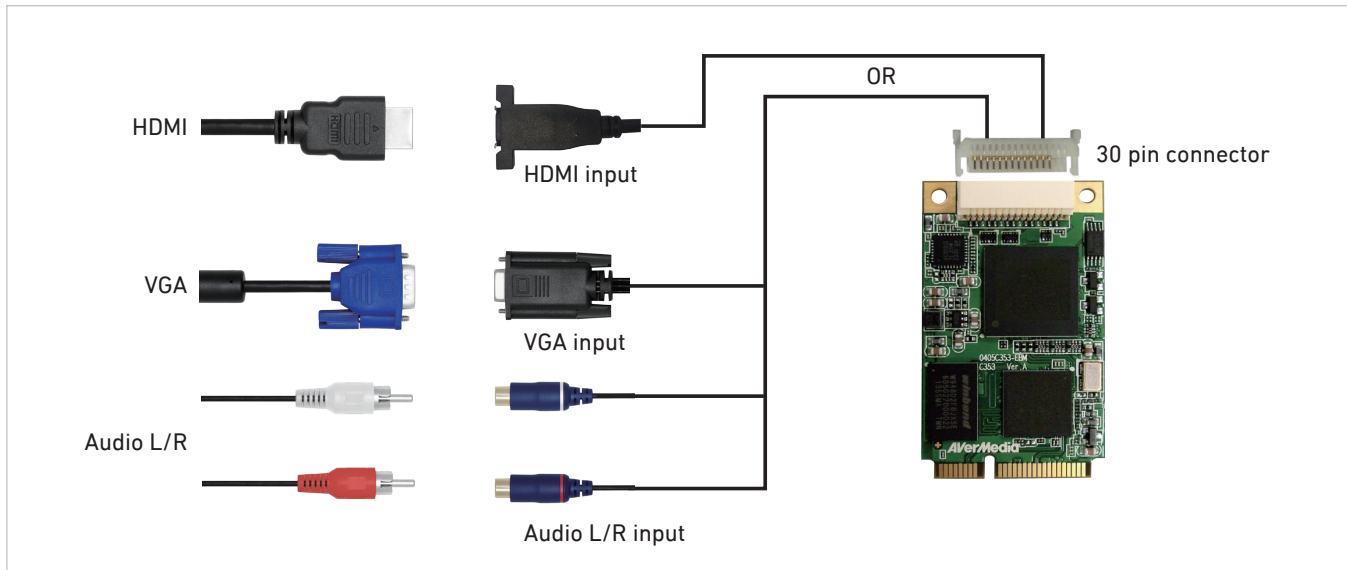
The C353W is equipped with an advanced built-in H.264 hardware encoder, which enables the system to encode without impacting the CPU's computing power but still maintain high quality video. This feature will help balance the loading and will increase the system's reliability. As a result, the C353W will significantly assist to reduce the computing efforts on hardware and software in order to focus on other important parts of application in hand.

Mini PCIe Compact Form Factor

The compact form factor design from a PCI Express Mini Card is perfect to fit into small-footprint embedded system, as well as a lower power consumption resulting in a more efficient solution. Also available for vibration-proof, lock holes specifically suits in-vehicle, military and industrial applications.

Mini PCIe Frame Grabber

Connection Diagram



Specifications

| | |
|-----------------------|-----------------------|
| Host Interface | PCI Express Mini Card |
| Audio Interface | HDMI / LR |
| Audio Format | LPCM / PCM |
| Audio Sampling Rate | 32KHz, 44.1KHz, 48KHz |
| Connector Type | SHLD 30 pin connector |
| Input Interface | HDMI / VGA / DVI |
| Video Format | YUV |
| Color Depth | 8-bit |
| Channel No. | 1Ch |
| Max. Input Resolution | 1920 x 1080 60fps |

| | |
|-----------------------|---|
| Encoding Mode | Hardware Encoding (H.264) |
| Multi-Card Support | Yes |
| Supported OS | Windows 7/8.1/10 (32/64 bits), Linux (32/64 bits) * |
| Form factor | Mini Card |
| Dimension (L x W) | 50.80 x 29.85 mm |
| Power Consumption | 1.5W |
| Operating Temperature | -40°C ~ 85°C (-40°F ~ 185°F) |
| Operating Humidity | 5% ~ 80% Relative Humidity |
| Safety Certification | FCC / CE |

* Linux Services

- Support Linux kernel 2.6.14 version and later based on V4L2 & ALSA framework
- Driver customization service by request

Versatile SDK

AVerMedia software development kit (SDK), a set of development tools that allows a software engineer to seamlessly integrate video capture modules into application specific systems. Available upon request are the SDK Basic, SDK Pro and to better match each application's specific requirements premium add-on kits.

Ordering Information

- C353W: Wide Temperature Full HD Mini-PCIe HW H.264 Capture Card
- Accessories:
 - SHLD 30 pin to HDMI, VGA, or DVI adapter cable (Optional)
- SDK kits
 - SDK Basic
 - SDK Pro (Optional)
 - SDK Premium Add-on Kits (Optional)