



Features



- Intel® Celeron® N3350 / Atom™ x7-E3950 processor on board
- Fanless and quiet design
- Stainless steel SUS304/SUS316
- All-around IP66/IP69K mechanical design
- M12 waterproof connectors
- Supports 5-wire resistive touch panel or projected capacitive touch panel

Specifications



System

CPU Type	Intel® Celeron® N3350 processor Intel® Atom™ x7-E3950 processor
Chipset	Intel® SoC
Memory Support	1 x DDR3L 1600/1867MHz SO-DIMM socket (up to 8G) (non-ECC)
Enclosure	Stainless SUS304/SUS316
IP Rating	IP66/IP69K
Power Input	DC In 12V/16~24V
Watchdog	1~255 second watchdog timer selectable
Operating System	Windows 10 IoT LTSC 2016 / Ubuntu 16.04
Dimensions	420 x 335 x 70 mm (W x H x D)
System Weight	7.5 kg
Mounting Support	Wall mount / VESA 100 / Stand / Table
Certifications	FCC / CE

Display

LCD	15" XGA (resolution 1024x768) LCD panel
Touchscreen	Projective capacitive touch panel (USB interface) 5-wire resistive touch panel (USB interface)

Applications

- Automation
- Food Service
- Information

I/O Ports

Power Input	1 x M12 waterproof connector, supporting 12V/16~24V DC
USB	2 x USB 2.0 with M12 waterproof connector
Serial Port	1 x COM port with M12 waterproof connector COM 1 for RS-232/422/485
LAN	2 x GbE LANs with M12 waterproof connector LAN 1: Intel® I210IT LAN 2: Intel® I210IT
Storage	1 x 2.5" SATA III HDD or SSD
Expansion Slots	1 x full sized mini PCIe slot (mini PCIe and USB signal)

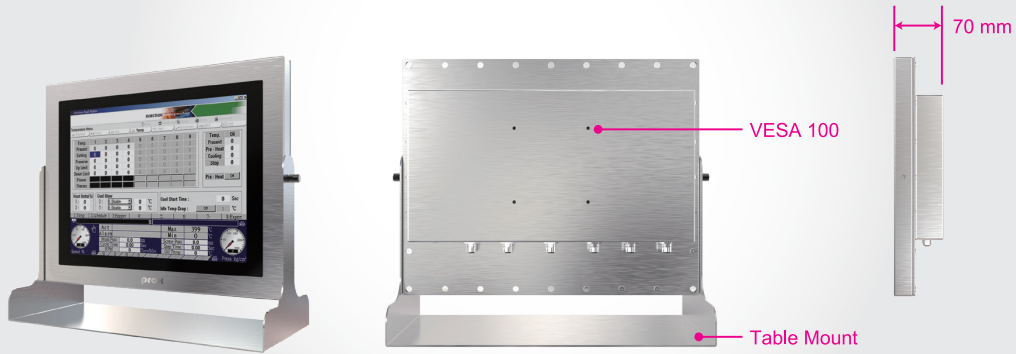
Environment

Operating Temp.	HDD: 0°C~40°C (32°F~104°F) SSD: Wide range temp. storage and peripherals: -20°C~55°C (-4°F~131°F) w/o audio, x7-E3950 only
Storage Temp.	-20°C~80°C (-4°F~176°F)
Humidity	20%~90%

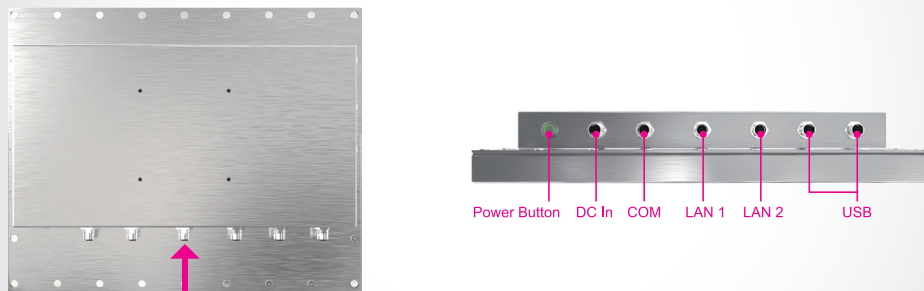
* All information contained in this document is subject to change without prior notice. Please log on www.protech.com.tw to acquire latest information. For detail mechanics drawing, please contact our sales.

Panel PC - HMI

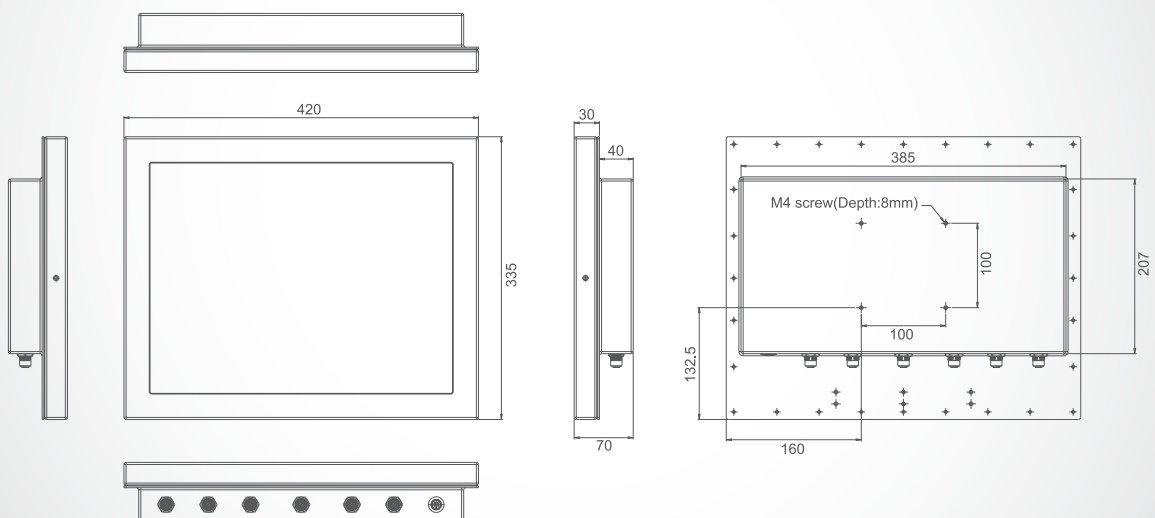
Highlights



I/O Panel View



Dimensions



unit: mm