

## Panel PC - HMI

### FEATURES

- 10.4" TFT SVGA 4:3 LCD with resistive 5-wire / projected capacitive touch
- Intel® Celeron® processor J1900, 2.0 GHz
- 1x 204-pin DDR3L SODIMM. max up to 8GB
- 1x 2.5" SATA HDD bay, 1x mSATA, 1x CFast, 2x SIM socket
- 2x full-size mini PCIe for communication or expansion modules
- 2x LAN, 1x VGA, 1x DisplayPort
- 6x RS-232/422/485 (w/ 2x internal), 1x USB 3.0, 3x USB 2.0, Audio
- 8x DI + 8x DO with isolation
- 9 to 50VDC wide range power input
- -10°C to 60°C extended operating temperature
- Designed with aluminum die-casting front frame
- IP65 compliant front panel
- Two 2W internal speakers built-in
- Multi-language OSD built-in



### SPECIFICATIONS

#### DISPLAY

LCD Size	10.4" (4:3)
Max. Resolution	800 x 600 (SVGA)
Brightness (cd/m <sup>2</sup> )	400
Contrast Ratio	700:1
LCD Color	16.2M
Pixel Pitch (mm)	0.264 (H) x 0.264 (V)
Viewing Angle (H-V)	160 / 130
Backlight MTBF	50000 hrs (LED Backlight)

#### TOUCH

Resistive 5-wire	VIO-110R/PC100 Only
Projected Capacitive	VIO-110C/PC100 Only

#### SYSTEM

Processor	Intel® Celeron® Processor J1900, Quad Core, 2MB Cache, 2.0 GHz
System Chipset	SoC integrated
LAN Chipset	GbE1 & GbE2: Intel® I210-AT (Support Wake-on-LAN and PXE)
Audio Codec	Realtek ALC888S
System Memory	1x 204-Pin DDR3L 1066/1333MHz SODIMM. Max. up to 8 GB
BIOS	AMI 64Mbit SPI BIOS
Watchdog	Software Programmable Supports 1~255 sec. System Reset

#### STORAGE

SSD/HDD	1x External 2.5" SATA HDD Bay
mSATA	1x mSATA (shared by 1x Mini PCI Express)
CompactFlash/CFast	1x CFast (shared by 1x mSATA & 1x Mini PCI Express)
SIM Socket	2x External SIM socket

#### EXPANSION

Mini PCI Express	1x Full-size Mini PCIe Socket with USIM Socket (PCIe + USB + SATA) 1x Full-size Mini PCIe Socket with USIM Socket (PCIe + USB)
------------------	---

#### I/O

VGA	1x VGA
DisplayPort	1x DisplayPort

COM	4x RS-232/422/485 2x RS-232/422/485 (internal)
USB	1x USB 3.0, 3x USB 2.0
LAN	2x RJ45
Audio	1x Mic-in, 1x Line-out
DIO	8 in / 8 out (Isolated)
Others	3x WiFi Antenna Holes 1x Power Switch, 1x AT/ATX Switch, 1x Remote Power On/Off

#### OTHER FEATURES

Internal Speaker	AMP 2W + 2W
OSD	LCD On/Off, Auto, Menu, Up and Down, Multi-language

#### OPERATING SYSTEM

Windows	Windows 10, Windows 7, WES7
Linux	Linux kernel 3.X

#### POWER

Power Mode	AT, ATX
Power Supply Voltage	9~50VDC
Power Ignition Sensing	Power Ignition Management
Power Connector	3-pin Terminal Block
Power Adaptor	Optional AC/DC 12V/5A, 60W
Power Protection	OVP (Over Voltage Protection) OCP (Over Current Protection) Reverse Protection

#### ENVIRONMENT

Operating Temp.	-10°C to 60°C
Storage Temp.	-20°C to 70°C
Relative Humidity	10% to 80% (non-condensing)
IP Level	IP 65 Compliant Front Panel
Standards / Certification	CE, FCC Class A

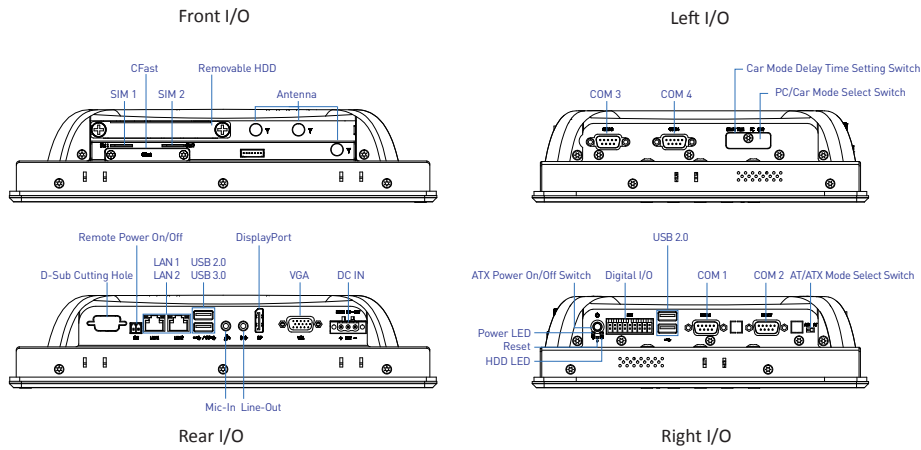
#### PHYSICAL

Front Panel Construction	Die-cast Flat Surface
Dimension	300 (W) x 238.5 (D) x 64.7 (H) mm
Weight	VIO-110R/PC100: 4.36 kg VIO-110C/PC100: 4.31 kg
Mounting	VESA Mounting Holes 75 x 75mm, 100 x 100mm

# VIO-110-PC100

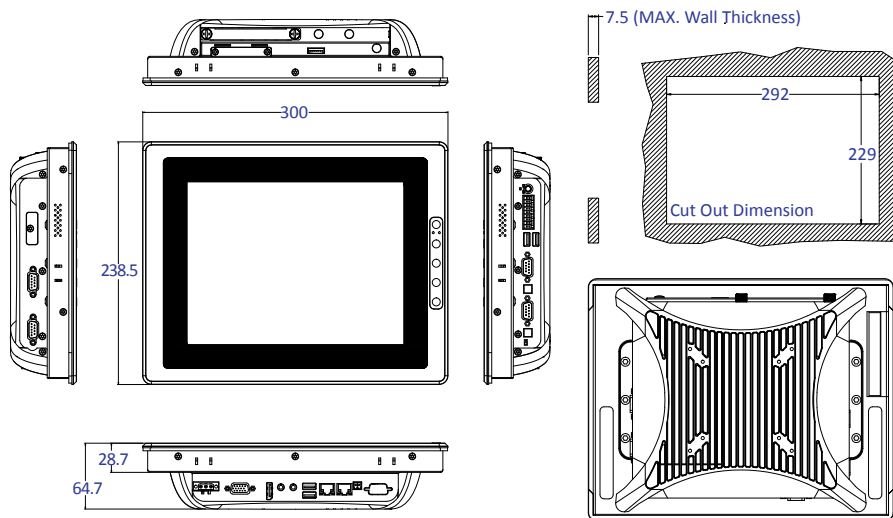
## Panel PC - HMI

### EXTERNAL I/O MECHANICAL LAYOUT



### DIMENSION

Unit: mm



### AVAILABLE MODELS

MODEL NO.	DESCRIPTION
VIO-110R/PC100-J1900	10.4" SVGA Resistive Touch Panel PC with Intel® Celeron® Processor J1900, 4x COM
VIO-110C/PC100-J1900	10.4" SVGA Capacitive Touch Panel PC with Intel® Celeron® Processor J1900, 4x COM

### OPTIONAL ACCESSORIES

MODEL NO.	DESCRIPTION
1-E09A06007	Adapter AC/DC 12V 5A 60W with 3pin Terminal Block Plug 5.0mm Pitch
SFICBL022	Power Cord, 3-pin US Type, 180cm
1-TPCD00002	Power Cord, European Type, 180cm
1-TPCD00001	Power Cord, 3-pin UK Type, 180cm

### PACKING LIST

• 1x VIO-110/PC100 Series Panel PC
• 6x Panel Mount Kit
• 1x Utility DVD Driver
• 1x Screw Pack