

Panel PC - HMI

Intelligent PoE Management System

Features

- W7"~ W15.6" light industrial interactive panel PC
- 9 V ~ 30 V wide range DC input with lockable DC jack
- Selectable AT/ATX power mode
- Built-in speakers
- Support PoE PD IEEE803.2 af/at/bt
- IP64/IP65 compliant front panel
- Touch screen with anti-UV / anti-glare coating



Specifications

Model		AFL3-W07A-AL-R10	AFL3-W10A-AL-R10	AFL3-12A-AL-R10	AFL3-W15A-AL-R10
LCD	Size	7"	10.1"	12.1"	15.6"
	Resolution	1024 x 600 (16:9)	1280 x 800 (16:10)	1024 x 768 (4:3)	1366 x 768 (16:9)
	Brightness (cd/m²)	500	350	500	300
	Contrast Ratio	700:1	800:1	700:1	500:1
	Viewing Angle (H-V)	150 / 145	170 / 170	160 / 160	170 / 160
	Backlight MTBF	20000	15000	50000	50000
Touch	Touch Screen	PCAP with USB interface (anti-UV/AG coating)			
	Touch Controller	EETI EXC3188	EXC3146	EXC3146	EXC3160
Mainboard	CPU	Intel® Celeron N3350 (2M Cache, up to 2.4 GHz) TDP 6W	Apollo lake Intel® Celeron® Processor J3455 (2M Cache, up to 2.3 GHz) TDP 10W		
	RAM	one 204-pin 1866MHz DDR3L DIMMs support up to 8GB			
	Ethernet	LAN1: Intel® I211 + LAN2: Intel® I211			
	Audio Codec	ALC269			
Storage	1 x M.2 B+M key PCIe 2242 (PCIe/SATA signal)	1 x M.2 B+M key PCIe 2242 (USB/PCIe/SATA signal)	1 x 2.5" SATA 3Gb/s HDD bay 1 x M.2 B+M key PCIe 2242 (USB/PCIe/SATA signal)		
I/O Ports & Switch	2 x GbE LAN 2 x USB 3.1 Gen 1 (5Gb/s) 2 x USB 2.0 Gen 1 (5Gb/s) 1 x 12V DC Jack 1 x power switch 1 x Reset button 1 x Clear CMOS button 1 x AT/ATX switch	1 x RS-232/422/485 by RJ45 (Support Auto Flow Control over RS-485) 1 x RS-232 by DP9 2 x GbE LAN 2 x USB 3.1 Gen 1 (5Gb/s) 2 x USB 2.0 1 x HDMI output 1 x 9V~30V DC Jack 1 x power switch 1 x Line out 1 x Reset button 1 x Clear CMOS button 1 x AT/ATX switch			
E-Window expansion	N/A	Yes , optional 1 x M.2 B+M key PCIe 2242 (USB/PCIe/SATA signal)			
PoE IEEE802.3bt	On board PoE at	Yes (option single channel)			
Audio	AMP 2W (internal speaker)	AMP 2W + 2W	AMP 3W + 3W (internal speaker)		
Camera / Microphone	N/A	2-megapixel with low light function, digital microphone			
Wireless & Bluetooth	IEEE 802.11 a/b/g/n/ac, Bluetooth V4.1 M.2 slot A+E key 2230 slot (PCIe/USB signal)				
Physical	Construction Front Panel	PC + ABS Plastic			
	Mounting	Panel, Wall, Stand and Arm VESA 75mm x 75mm , 100mm x 100mm			
	Color	Black C			
	Dimensions (W x H x D)(mm)	191 x 127 x 43	262 x 181 x 42	304 x 243 x 44	396 x 250 x 53
	Cut-out Dimensions (W x H)	182 x 111	236 x 149	243 x 205	273 x 226
	Net/Gross Weight (kgs)	0.73/1.81	1.06/2.58	1.92/3.95	3.3/5.6
Environment	Operating Temperature (°C) (Ambient with air flow)	minus -20°C~50°C			
	Storage Temperature (°C)	minus -20°C~60°C			
	Humidity	10% to 95% (non-condensing)			
	IP Level	IP 65 compliant front panel	IP 64 compliant front panel		
	Safety&EMC	CE / FCC class A			
	Thermal Solution	Fanless			
Power	Power Requirement	12V/3A	9~30V , 4~1.2A	9~30V , 6.67~2A	9~30V , 6.67~2A
ErP	ErP 2009/125/EC				

Panel PC - HMI

Ordering Information

Part No.	Description
AFL3-W07A-AL-N1/P/PC/4G-R10	7" 500cd/m² 1024 x 600 Panel PC with Intel® Celeron® Processor N3350 (6W) on-board Processor , on-board POE at, 1*4GB DDR3L , 802.11a/b/g/n/ac WiFi module, PCAP touch,R10
AFL3-W10A-AL-J2/P/PC/4G-R10	10.1" 350cd/m² 1280 x 800 Panel PC with Intel® Celeron® Processor J3455 (10W) on-board Processor, POE option, 1*4GB DDR3L , 802.11a/b/g/n/ac WiFi module, PCAP touch, 2M camera, microphone,R10
AFL3-12A-AL-J2/P/PC/4G-R10	12.1"500 cd/m² 1024 x 768 Panel PC with Intel® Celeron® Processor J3455 (10W) on-board Processor, POE option, 1*4GB DDR3L , 802.11a/b/g/n/ac WiFi module, PCAP touch, 2M camera, microphone,R10
AFL3-W15A-AL-J2/P/PC/4G-R10	Wide 15.6" 300 cd/m² 1366 x 768 Panel PC with Intel® Celeron® Processor J3455 (10W) on-board Processor, POE option, 1*4GB DDR3L , 802.11a/b/g/n/ac WiFi module, PCAP touch, 2M camera, microphone,R10

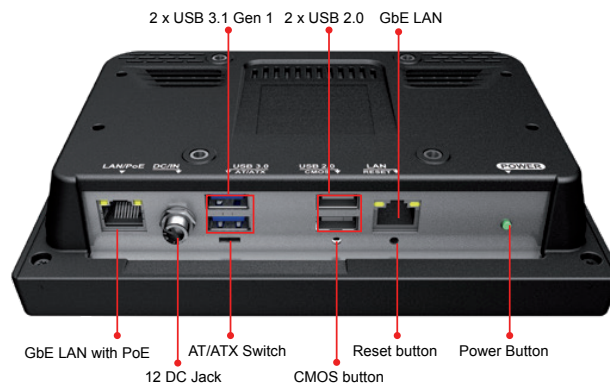
Options

Item	AFL3-W07A-AL	AFL3-W10A-AL	AFL3-12A-AL	AFL3-W15A-AL
Panel Mounting Kit	AFL3PK-W07A-R11	AFL3PK-08A-R10	AFL3PK-08A-R10	AFL3PK-W15A-R10
Wall Mounting Kit	AFLWK-12	AFLWK-12	AFLWK-19B	AFLWK-19B
Rack Mounting Kit	AFL3RK-W07A-R11	AFL3RK-W10A-R10	AFL3RK-12A-R10	AFL3RK-W15A-R11
Arm	ARM-11-RS/ARM-31-RS	ARM-11-RS/ARM-31-RS	ARM-11-RS/ARM-31-RS	ARM-11-RS/ARM-31-RS
Stand	STAND-B08/STAND-100-RS	STAND-C12-R10	STAND-A12-RS/STAND-C12-R10/ STAND-100-RS	STAND-A12-RS/STAND-C12-R10/ STAND-100-RS
V-Stand	VSTAND-A07-R1	VSTAND-A10-R11	VSTAND-A12-R11	
Magnetic Card Reader	AFL3P-W7MSR-U-R10	AFL3P-W10MSR-U-R10	AFL3P-W10MSR-U-R10	AFL3P-W10MSR-U-R10
Barcode Scanner	N/A	AFL3-2D-R11	AFL3-2D-R11	AFL3-2D-R11
RFID Reader (13.56 MHz Mifare Type)	N/A	AFL3-MF-RFID-KIT02-R10	AFL3-MF-RFID-KIT02-R10	AFL3-MF-RFID-KIT02-R10
OS: Win 10 IOT Enterprise (64-bit)	AFL3-W07A-AL-W10E64-E-R10			
PoE PD module	N/A	AFL3-PD-BT01-KIT01-R10	AFL3-PD-BT01-KIT01-R10	AFL3-PD-BT01-KIT01-R10

Packing List

Item	Part No.	Q'ty	Remark
Setting kit	46003-002600-RS	2	
Round head machine screw	44003-020041-RS	2	M2*4 round head machine screw
	44003-020041-RS	4	M2*4 round head machine screw
Pan head machine screw	44403-040061-RS	4	M4*6 pan head machine screw
Fix holder	46003-009500-RS	2	
Power cord	32702-000400-200-RS	1	
Power adapter	63040-010036-210-RS	1	Vin:90~264VAC;36W , Vout:12VDC;Φ2.5/Φ5.5/lock (AFL3-W07A-AL / AFL3-W10A-AL)
	63040-010060-211-RS	1	Vin:90~264VAC;36W , Vout:12VDC;Φ2.5/Φ5.5/lock (AFL3-12A-AL / AFL3-W15A-AL)
RJ-45 to DB-9 COM port transfer cable	32005-004600-100-RS	1	300mm, 26AWG, (A) D-SUB 9 male, (B) RJ-45

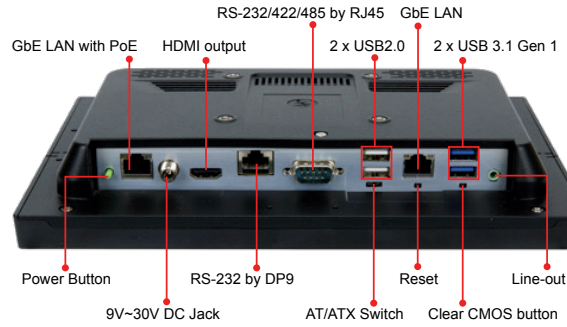
AFL3-W07A-AL Fully Integrated I/O



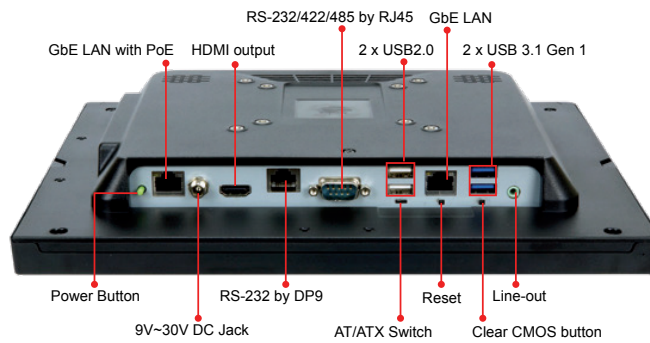
AFL3-W07A-AL

Panel PC - HMI

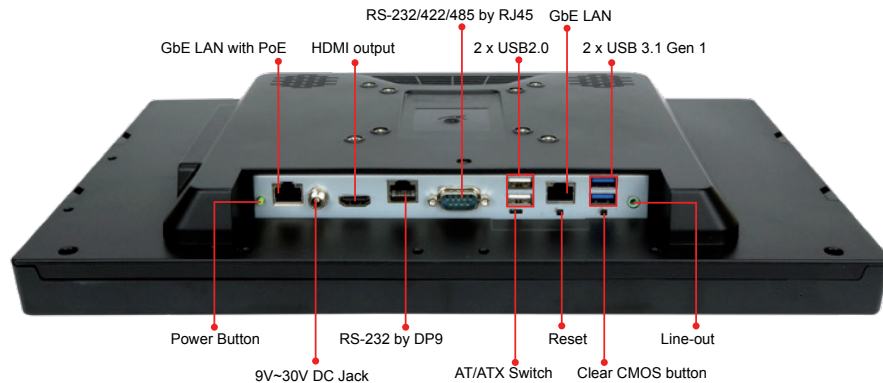
AFL3-W10A-AL Fully Integrated I/O



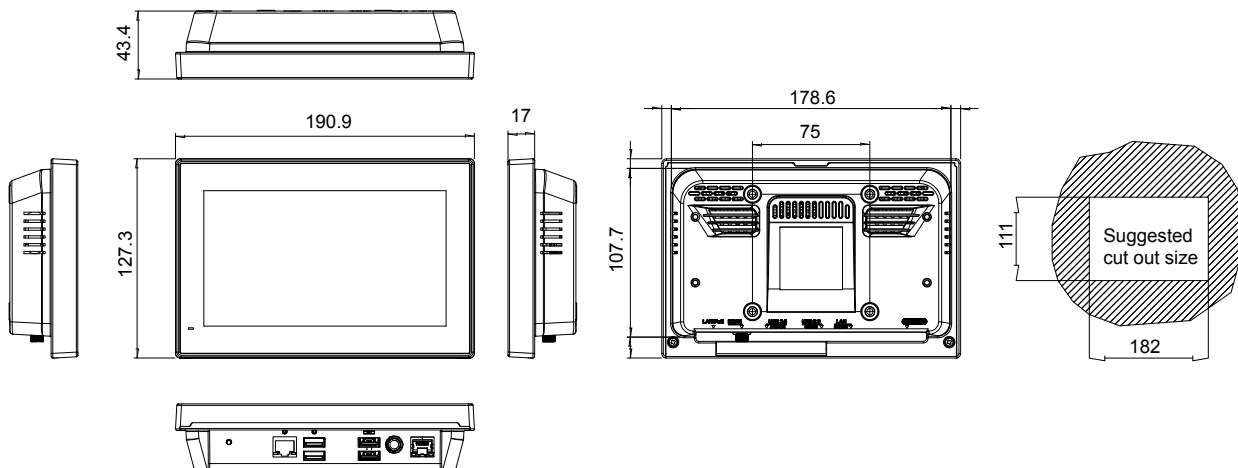
AFL3-12A-AL Fully Integrated I/O



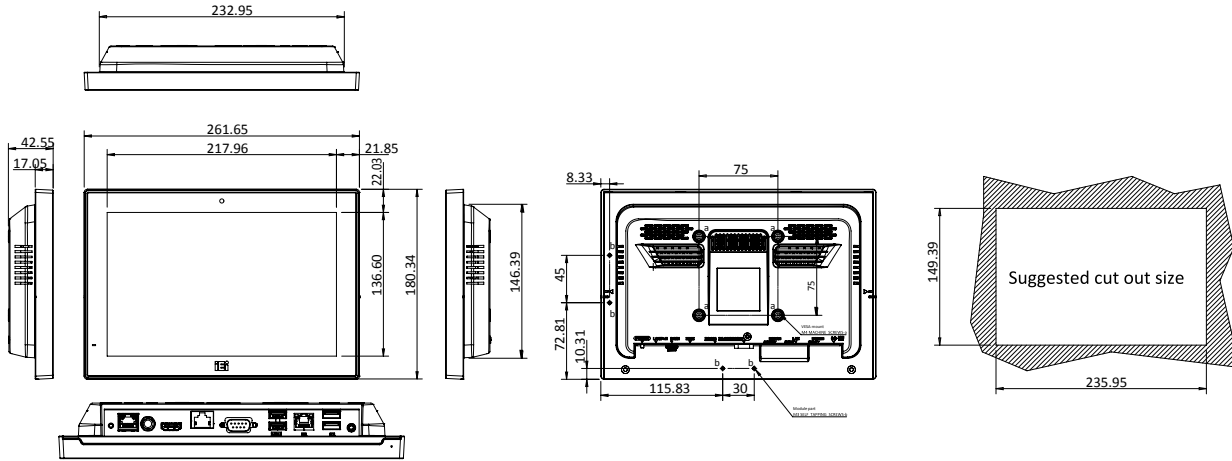
AFL3-W15A-AL Fully Integrated I/O



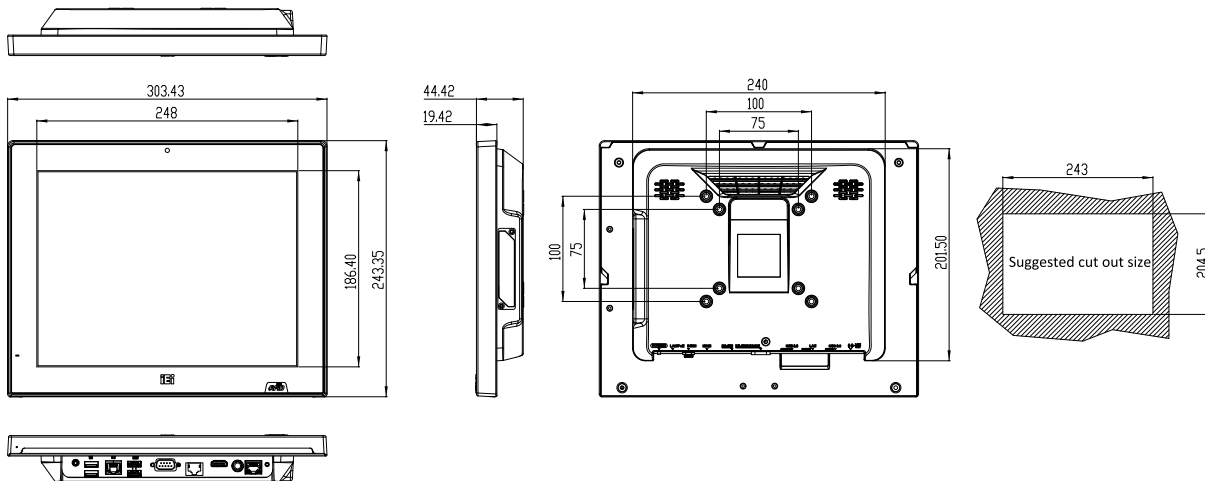
AFL3-W07A-AL Dimensions (Unit: mm)



AFL3-W10A-AL Dimensions (Unit: mm)



AFL3-12A-AL Dimensions (Unit: mm)



AFL3-W15A-AL Dimensions (Unit: mm)

