

## Digital Signage Solution



### IDS-310 Key Features

#### ■ Ultra HD

Display approaching 4K2K resolution. Best for high-definition screen.

Triple display port:

- 3 x HDMI 3840 x 2160 @30Hz



#### ■ Thin Appearance

The minimum dimension of IDS-310 is 137 x 102.8 x 38.1 (mm) which can be installed in a limited space and saves more space.



38.1mm



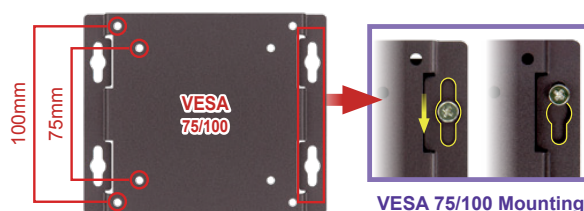
#### ■ Hardware Expansion

The M.2 A-key & PCIe Mini slots are reserved for Wi-Fi, 3G/4G or mSATA modules, and also support SATA DOM for storage to achieve flexible application. Users can quickly replace the modules inside by simply opening the bottom panel of the chassis. Such a design can produce huge benefits for those who need quick response and efficient services.



#### ■ Mounting Method

The IDS series has different mounting ways to choose. The series has passed shock and vibration test based on the MIL-STD-810G standard.



## Digital Signage PC

### Features

- Triple HDMI displays
- Two GbE LAN ports
- Full-size PCIe Mini slot and M.2 A-key slot for expansion



### Specifications

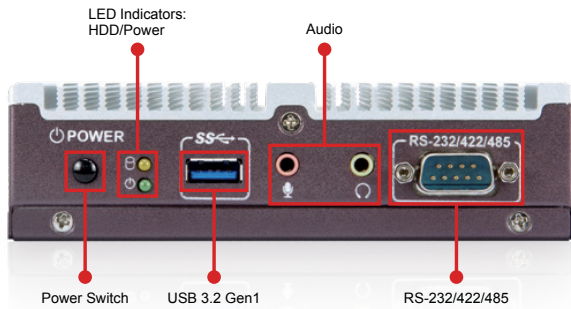
Model Name		IDS-310-AL-N1	IDS-310-AL-J1
Chassis	Color	Brown & Silver	
	Dimensions (WxDxH)	137 x 102.8 x 38.1 mm	137 x 102.8 x 52.1 mm
	System Fan	Fanless	
	Chassis Construction	Extruded aluminum alloys	
Motherboard	CPU	Intel® Celeron® N3350E (up to 2.4GHz, dual-core, TDP 6W)	Intel® Celeron® J3455E (up to 2.3GHz, quad-core, TDP 10W)
	Chipset	SOC	
	System Memory	1 x 204-pin DDR3L SO-DIMM, 4 GB pre-installed (system max: 8GB)	
Storage	Hard Drive	1 x SATA 6Gb/s connector	
	Micro SD	1 x Micro SD (optional)	
I/O Interfaces	Ethernet	2 x RJ-45 PCIe GbE by RTL8111 controller	
	USB 3.2 Gen1 (5Gb/s)	3	
	COM Port	1 x RS-232/422/485	
	Display	3 x HDMI 1.4b (3840x2160@30Hz)*	
	Audio	1 x Line-out, 1 x Mic-in	
	Wireless	1 x 802.11 a/b/g/n/ac (optional)	
	TPM 2.0	Optional	
Expansions	PCIe Mini	1 x Full-size (PCIe/ USB 2.0/ SATA) with SIM card slot	
	M.2	1 x 2230 A key (PCIe x1/ USB 2.0)	
Power	Power Input	12V DC-in	
	Power Consumption	12V @ 1.9A (Intel® Celeron® N3350E with 4GB memory)	12V @ 2.2A (Intel® Celeron® J3455E with 4GB memory)
Reliability	Mounting	VESA 75/100/Wall mount	
	Operating Temperature	-20°C ~ 60°C with air flow (mSATA), 10% ~ 95%, non-condensing	
	Storage Temperature	-30°C ~ +80°C	
	Operating Shock	Half-sine wave shock 5G, 11ms, 100 shocks per axis	
	Operation Vibration	MIL-STD-810G 514.6C-1 (mSATA)	
	Weight ( Net/Gross)	680g/1.4kg	950g/1.7kg
	Safety / EMC	CE, FCC Class A, BSMI	
	Watchdog Timer	Programmable 1 ~ 255 sec/min	
OS	Supported OS		
		Microsoft® Windows® 10, Linux	

\* The source of HDMI 3 is eDP, which does not support audio.

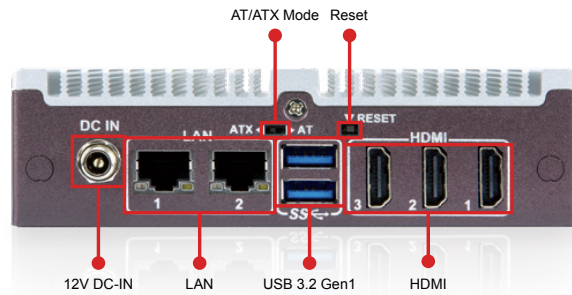
## Digital Signage PC

### Fully Integrated I/O

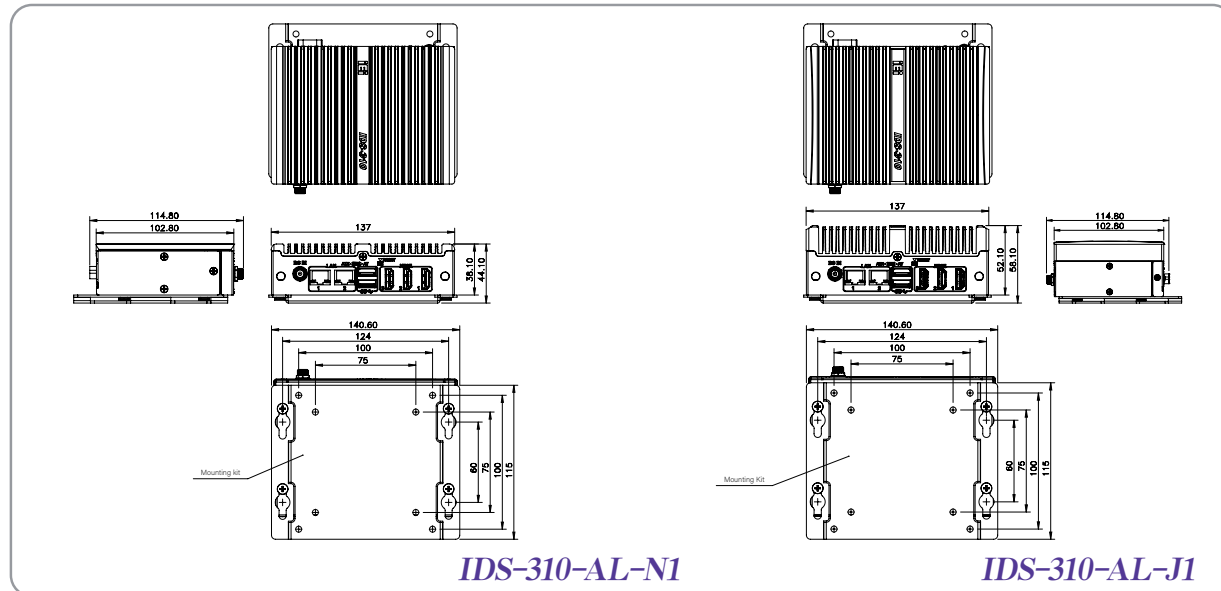
#### Front View



#### Rear View



### Dimensions (Unit: mm)



### Ordering Information

Part No.	Description
IDS-310-AL-J1/4GB-R10	Fanless embedded system with Intel® Celeron® J3455E 1.5GHz (up to 2.3GHz, quad core, TDP 10W), pre-installed 4GB DDR3L memory, triple HDMI display, 12V DC and RoHS
IDS-310-AL-N1/4GB-R10	Fanless embedded system with Intel® Celeron® N3350E 1.1GHz (up to 2.4GHz, dual core, TDP 6W), pre-installed 4GB DDR3L memory, triple HDMI display, 12V DC and RoHS

### Options

Part No.	Description
Wi-Fi Module	27319-000007-RS* Wireless LAN Module;WiFi+Bluetooth;Sparklan;R970181001;IEEE802.11a/b/g/n/ac;2.400GHz ~ 2.484GHz, 5.15GHz ~ 5.85GHz;M.2 2230;3.3V;22 x 30 x 2.0mm;Qualcomm Atheros QCA6174A-5;2x2 MIMO;Dual Band;WNFQ-258ACN(BT) [W];CCL;RoHS
Antenna	32505-000900-100-RS* External Antenna;WLAN;RG 178;108MM;TANK-700-QM67-R10;PEAK GAIN 2.0DBI;Excelltek;2.4-2.5GHz/5.15-5.85GHz;REVERSE SMA PLUG;RoHS
RF Cable	32501-004000-100-RS* RF;RF CABLE;LINE DIAMETER:0.81mm;250MM;;50Ω;Sparklan;0-6GHz;VSWR≤1.3;I-PEX MHF-4 Plug;REVERSE SMA JACK;NUT x 1;WASHER x 1;;RoHS

\* Each Wi-Fi module needs two antennas and two RF cables to fully support Wi-Fi function.

### Packing List

1 x VESA 75/100 Mounting Kit	1 x Power Adapter	1x Power Cord
------------------------------	-------------------	---------------