

Vehicle PC



Features

- Intel® Atom™ x5-E3930 1.3GHz (up to 1.8 GHz)
- DDR3L 1.35V SO-DIMM supported
- Serial, CAN bus and digital I/O interface



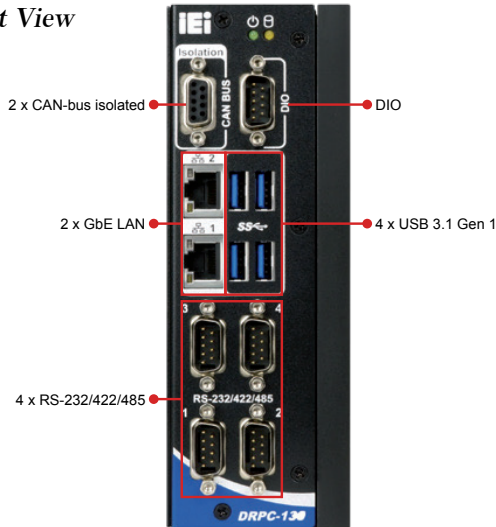
Specifications

Model Name	DRPC-130-AL		
Chassis	Color	Black	
	Dimensions (WxDxH)	58.75 x 130 x 174	
	System Fan	Fanless	
	Chassis Construction	Extruded aluminum alloy	
Motherboard	CPU	Intel® Atom™ x5-E3930 1.3GHz (up to 1.8 GHz, dual core, TDP=6.5W)	
	Chipset	SoC	
	System Memory	1x 204-pin DDR3L SO-DIMM slot (system max. 8 GB) (DRPC-130-AL-E1/4GB SKU is pre-installed with 4 GB memory)	
Storage	Hard Drive	1 x 2.5" SATA 6Gb/s HDD/SSD bay	
	eMMC	1 x eMMC 5.0 support (up to 32GB, optional)	
I/O Interfaces	USB 3.1 Gen 1 (5Gb/s)	4	
	USB 2.0	1 by pin header	
	Ethernet	2 x RJ-45 PCIe GbE by Intel® I211 controller	
	COM Port	4 x RS-232/422/485 (DB-9)	
	Digital I/O	8-bit digital I/O, 4-bit input/4-bit output (DB-9)	
	CAN Bus	1 x DB-9 w/ 2.5kV Isolation protection, supporting 2-port CAN-bus	
	Display	2 x HDMI 1.4b	
	Resolution	Up to 3840 x 2160@30Hz	
	SIM	1 x Internal on-board SIM slot (optional)	
	Wireless	1 x 802.11a/b/g/n/ac (optional)	
	TPM	1 x TPM 2.0 (2x10 pin) (optional)	
	Others	1 x Power Button 1 x Reset Button 1 x AT/ATX Switch	1 x LED for HDD (Yellow) 1 x LED for Power (Green)
	Expansions	PCIe Mini	1 x Half-size PCIe Mini slot 1 x Full-size PCIe Mini slot (supports mSATA, colay with SATA)
		Power Input	3-pin terminal block: 12 V ~ 24 V DC
Power	Remote PWR	PSON 2-pin terminal block	
	Power Consumption	12V @ 2.88 A (Intel® Atom™ x5-E3930 CPU with 4GB 1600 MHz DDR3L memory)	
	Mounting	DIN-rail / Wall mounting	
Reliability	Operating Temperature	-20°C ~ 60°C with air flow (SSD), 10% ~ 95%, non-condensing	
	Storage Temperature	-40°C ~ 85°C with air flow (SSD), 10% ~ 90%, non-condensing	
	Operating Shock	Half-sine wave shock 5G, 11ms, 100 shocks per axis, IEC68-2-27	
	Operation Vibration	MIL-STD-810G 514.6C-1 (SSD)	
	Weight (Net/Gross)	1.4Kg/2.5Kg	
	Safety / EMC	CE/FCC	
	Watchdog Timer	Programmable 1~255 sec/min	
	OS	Supported OS	Microsoft® Windows 10 / Linux

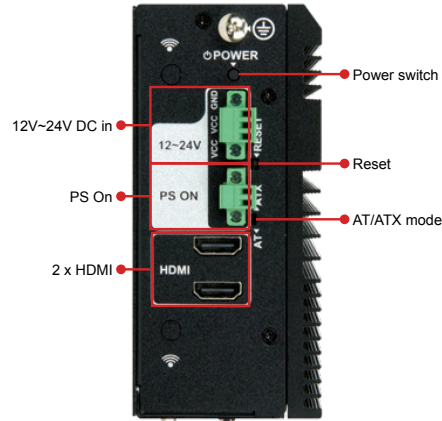
Vehicle PC

Fully Integrated I/O

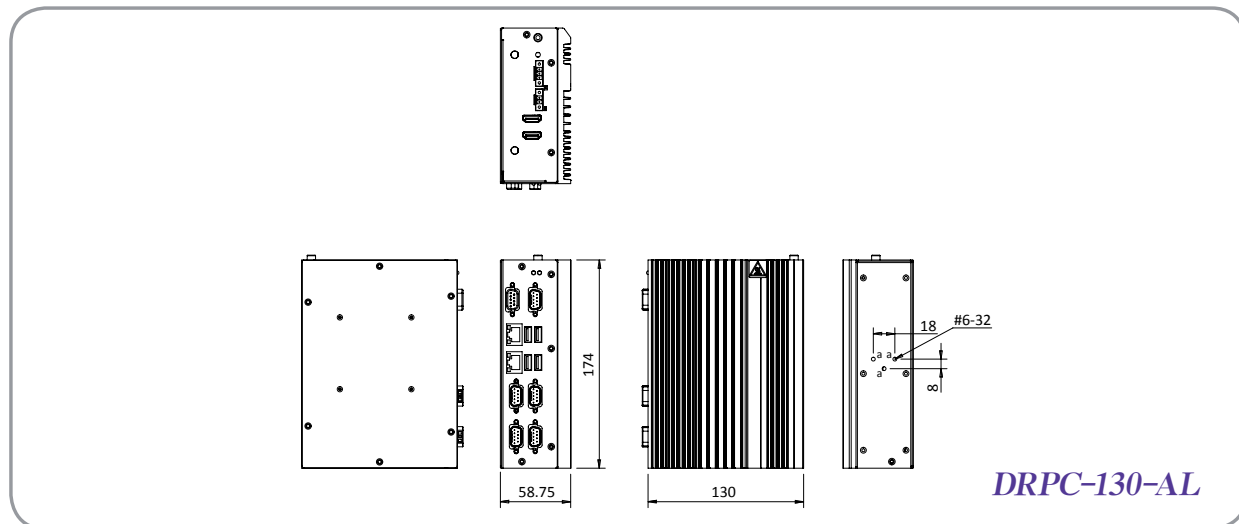
Front View



Top View



Dimensions (Unit: mm)



Ordering Information

Part No.	Description
DRPC-130-AL-E1-R11	Fanless embedded system, Intel®Apollo Lake x5-E3930 1.3GHz (up to 1.8GHz, dual core), two HDMI, 8 CH DIO, CAN-Bus, COM, 12~24V DC and RoHS
DRPC-130-AL-E1/4GB-R11	Fanless embedded system, Intel®Apollo Lake x5-E3930 1.3GHz (up to 1.8GHz, dual core), 4GB DDR3L pre-installed memory, two HDMI, 8 CH DIO, 12V ~ 24V DC and RoHS

Options

Item	Part No.	Description
Adapter*	63040-010036-210-RS	Adapter Power;FSP;FSP036-RHBN3;9NA0362707;;Vin:90~264VAC;36W;Dim:37.8*89.8*27.0mm;Plug=7.5mm;Cable =1500mm;Erp(NO LOAD 0.075W);Vout:12VDC;Φ2.5/Φ5.5/lock;CCL;RoHS
Power Cable*	32102-026500-100-RS	Power cable 200mm, (A) DC jack to (B) 3-pin terminal block P=3.5
Power Cord	32702-000200-100-RS	POWER CORD; EUROPEAN CODE(VDE); 2; 1830MM; (A)PLUG:SH-005(16A 250V); (B)CONNECTOR:C13(SH-006,10A250V); Self-Man; CCL; RoHS
Wireless Kit	EMB-WIFI-KIT01-R20	1T1R Wi-Fi module kit for embedded system, IEEE802.11a/b/g/n/ac Wi-Fi with Bluetooth 4.0/3.0+HS, 1 x Wi-Fi module, 2 x 250mm RF cable, 2 x Antenna, RoHS
TPM Module	TPM-IN02-R20	20-pin Infineon TPM2.0 module, software management tool, firmware v5.5
DIN-Rail Mounting Kit	DK-DRPC-R10	Rugged DIN-rail mounting kit for DRPC series only
OS:Windows Embedded 10	DRPC-130-W10E64-E-R10	OS Image with Windows® 10 IoT Enterprise Entry 64-bit for DRPC-130-AL Series, with DVD-ROM, RoHS

*It is required to order Power Cable together with Adapter for power usage.

Packing List

1x Din-rail mounting kit	1 x Screw kit
--------------------------	---------------