

RUTX12

Industrial LTE Router

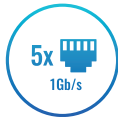
Powerful Dual LTE Cat6 router for mission critical applications. Equipped with two LTE modems for dual simultaneous connections allowing instant seamless LTE service switching and load balancing. 5 x Gigabit Ethernet ports, DualBand 802.11ac WiFi, Bluetooth LE and USB interfaces with RutOS software and security features make this device irreplaceable in applications where losing connection is not an option.



Dual LTE Cat 6 modules working simultaneously can provide speeds up to 600 Mbps



Instant failover switching



Gigabit Ethernet with speeds up to 1000 Mbps



Wave-2 802.11ac Dual Band WiFi with speeds up to 867 Mbps

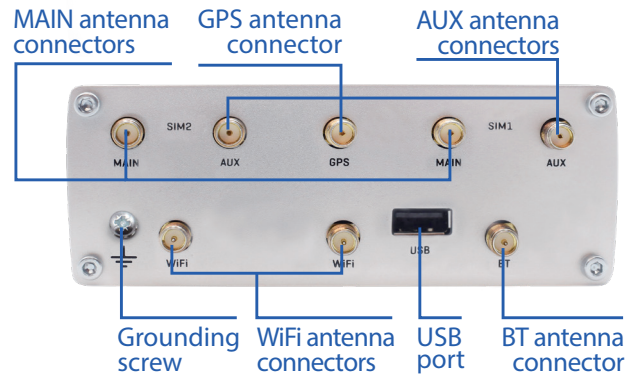
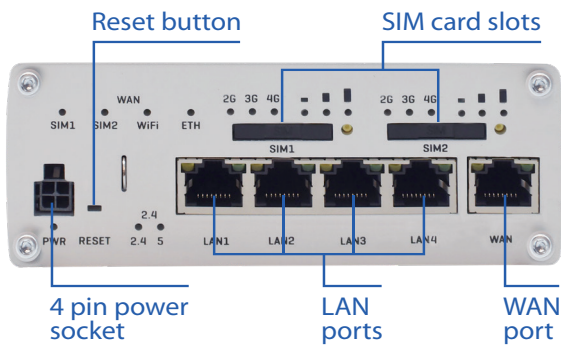


Teltonika Remote Management System compatible



Easy to use, secure and feature rich OpenWrt based Operating System

Industrial LTE Router



Hardware

Mobile	2 x 4G (LTE) – Cat 6 DL up to 300 Mbps, UL up to 50Mbps; DC-HSDPA; HSUPA; WCDMA
CPU	Quad Core ARM Cortex A7 717 MHz CPU
Memory	256 MB SPI Flash, 256 MB of DDR3 RAM
Ethernet	4 x LAN ports 10/100/1000 Mbps, 1 x WAN port (can be configured to LAN) 10/100/1000 Mbps
WiFi	802.11ac (WiFi 5) with data transmission rates up to 867 Mbps (Dual Band, MU-MIMO)
Power supply	Dual 9 - 50 VDC, 4 pin DC connectors
Connectors	1 x 4 pin DC, 5 x Ethernet, 4 x SMA for LTE, 2 x WiFi RP-SMA, 1 x SMA for GNSS, 1 x RP-SMA for Bluetooth
SIM	2 x external SIM holders
Status LEDs	1 x Power, 6 x Mobile connection type, 6 x Mobile connection signal strength, 2 x WiFi band, 8 x Ethernet status, 4 x WAN type
Operating temperature	-40 °C to 75 °C
Housing	Full aluminium Rack Unit housing, 1U height

Software

Operating system	RutOS (OpenWrt based Linux OS)
SIM switch	2 SIM cards, auto-switch cases: data limit, no network, network denied, data connection fail
Multiple PDN	Possibility to use different PDNs for multiple network access and services
Network protocols	TCP, UDP, IPv4, IPv6, ICMP, NTP, DHCP, DNS, HTTP, HTTPS, SMTP, SSL v3, TLS, ARP, PPPoE, UPNP, SSH, Telnet
Networking features	NAT, Static/Dynamic routing, Firewall, H.232 and SIP-alg protocol NAT helpers, allowing proper routing of VoIP packets
Unique networking features	VLAN, Mobile quota control, WEB Filter, Load Balancing, Network Backup, Auto Failover
Connection monitoring	Ping Reboot, Periodic Reboot, LCP and ICMP for link inspection
Authentication	Pre-shared key, digital certificates, X.509 certificates
Keep settings	Update FW without losing current configuration
Monitoring & Management	WEB UI, SSH, SMS, SNMP, JSON-RPC, FOTA, RMS
Supported languages	Busybox shell, Lua, C, C++
Development tools	SDK package with build environment provided