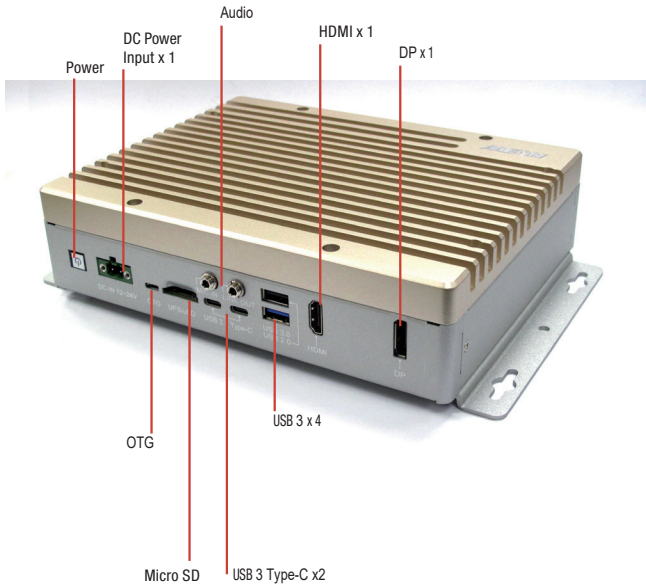
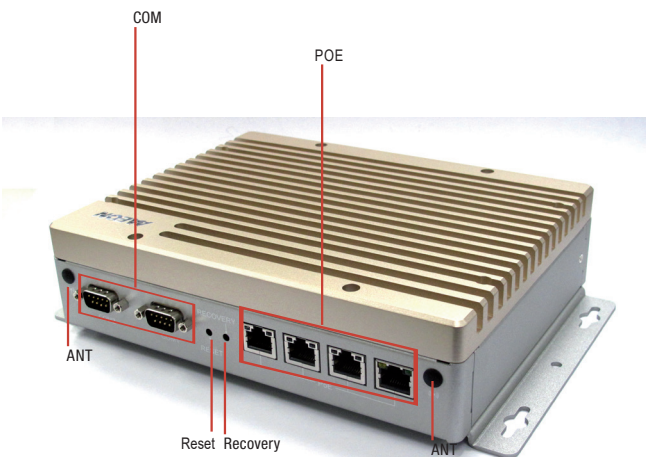


Front View



Rear View



Features

- 512-core Volta GPU with Tensor Cores
- Support RJ-45 x 4 for PoE (802.11af, total 60W)
- Support DB-9 x 2 for RS-232/422/485
- Support GPIO 40 pins, Line in and Line out
- Support M.2 E key and M key

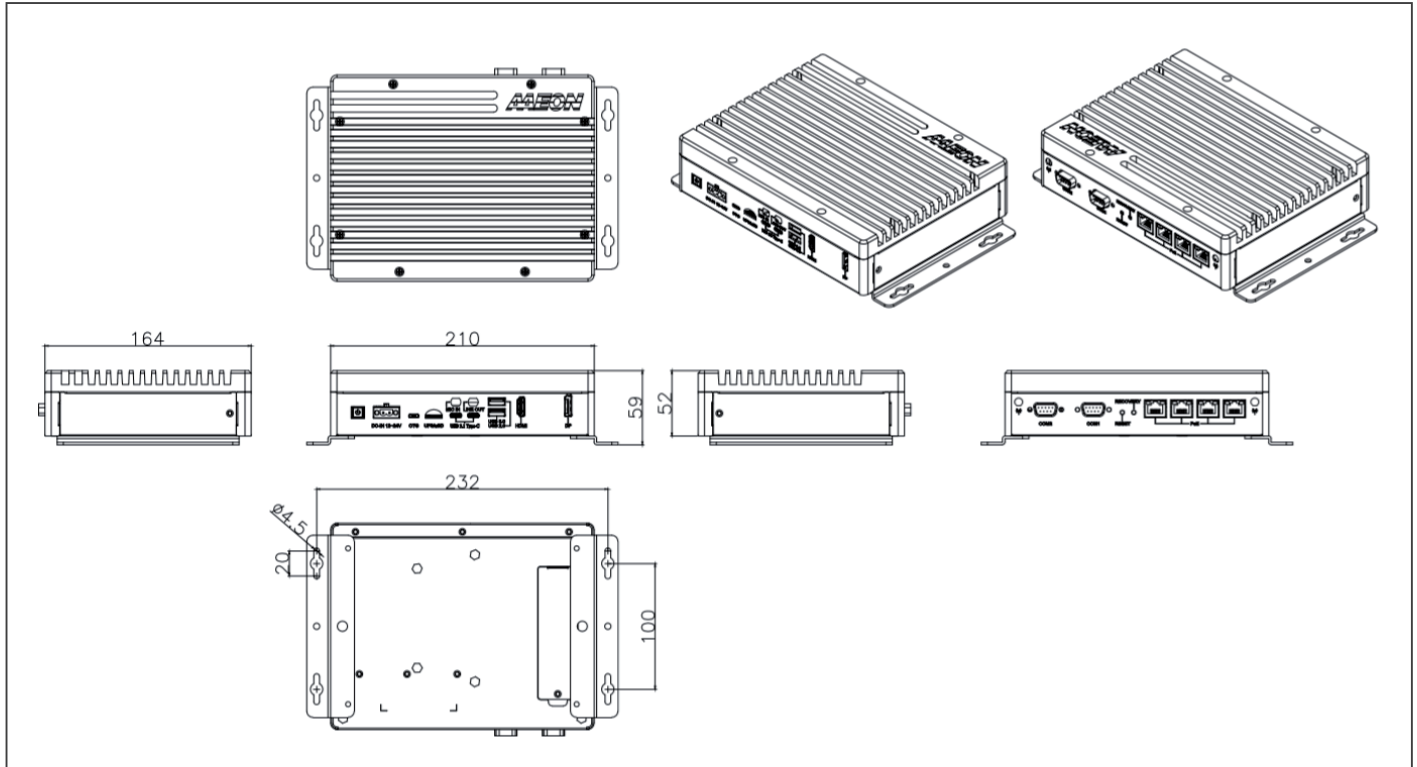


Specifications

System	
CPU	8-core ARM v8.2 64bit CPU, 8MB L2 + 4MB L3
Chipset	—
System Memory	32 GB 256-Bit LPDDR4 x 1 137 GB/s
AI Solution	Nvidia AGX Xavier
Display Interface	HDMI 2.0
Storage Device	32GB eMMC +M.2 Key M 2280 x1 (PCIe[x4]) +SD/UFS slot
Ethernet	10/100/1000 Base-TX x 1 IEEE 802.11 af PoE LAN x 4
I/O	RJ-45 x 4 for PoE (802.11af, total 60W) USB type C x 2 for USB 3.2 Gen 1 USB type A x 1 for USB 3.2 Gen 1 USB Type A x 1 for USB 2.0 Line-in x 1 Line-out x 1 HDMI type A for HDMI v2.0 x 1 DisplayPort v1.4 x 1 DB-9 x 2 for RS-232/422/485 (By jumper) UFS/SD card slot x 1 2-pin terminal block for 12~24V power input Power ON/OFF switch x 1
Expansion	Expansion header 40-pin (UART + SPI + CAN + I2C + I2S + DMIC + GPIOs) USB 2.0 header x 1 (Optional, circuit reserved) M.2 Key E 2230 x1 for WiFi/Bluetooth (PCIe[x1] + USB) M.2 Key M 2280 x1 (PCIe[x4]) JTAG Connector
Indicator	Power LED x1
OS Support	Linux (AAEON ACLinux 4.9, Compliance with Ubuntu 18.04)
Power Supply	
Power Requirement	DC-in 12~24V with 2-pin terminal block
Mechanical	
Mounting	Wallmount kit (default)
Dimensions (W x D x H)	210mm x 164mm x52mm
Gross Weight	TBD
Net Weight	4.4 lb (2kg)
Environmental	
Operating Temperature	-13°F ~ 131°F (-25°C ~ 55°C, according to IEC60068-2 with 0.5 m/s AirFlow)
Storage Temperature	-4°F ~ 158°F (-40°C ~ 70°C)
Storage Humidity	95% @ 40°C, non-condensing
Anti-Vibration	3 Grms/ 5 ~ 500Hz/ operation – MicroSD or eMMC
Certification	CE/FCC class A

Dimension

Unit: mm



Ordering Information

Part Number	AI solution	LAN	POE	USB 3.2 Gen 1	RS-232/422/485	Storage	Display	Mounting	Power
BOXER-8240AI-A1-1010	Jetson AGX Xavier	-	4	4	2	32GB eMMC +M.2 Key M 2280	HDMI x 1	Wallmount	12~24Vdc w/ 2 pin terminal block

Packing List

- Power Connector x 1
- BOXER-8240AI

Optional Accessories

- 1255300611
60W Power Adapter
- 1702031802
Power Cord (US type)
- 1702031803
Power Cord (European Type)
- 170203180E
Power Cord (Japanese Type)